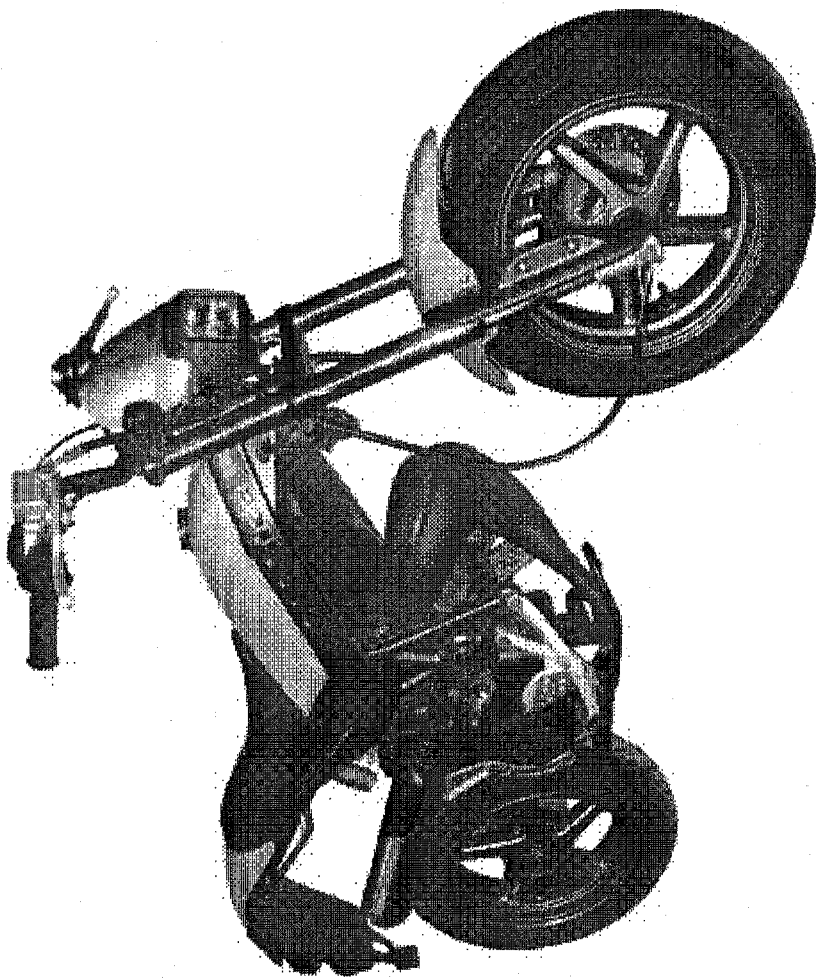


SUZUKI STREET MAGIC TR50S



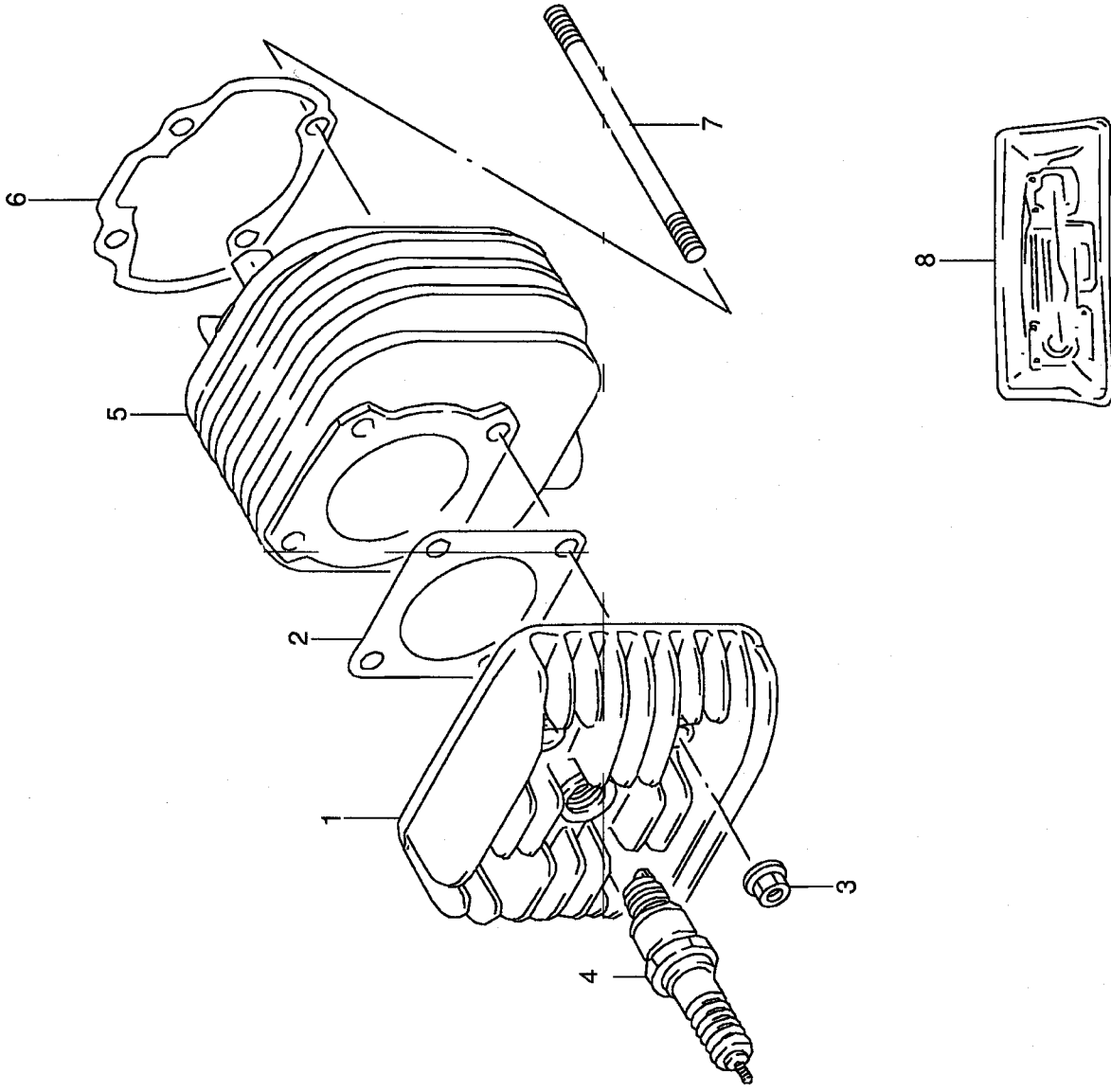
Microfiche

TR50SY (TR50SY E2)

FIG1

CYLINDER

Ref No	Part No	Name	Description
1	11111-37B03	Head, Cylinder	Description
2	11141-02110	Gasket, Cylinder Head	Head, Cylinder
2	11141-43E00	Gasket, Cylinder Head	Gasket, Cylinder Head
3	08316-10063	Nut	Gasket, Cylinder Head
4	09482-00141	Spark Plug Bpr6	Nut
4	09482-00243-111	Spark Plug (denso, w20fpr)	Spark Plug (ngk, bpr6hs)
5	11211-43E20-0F0	Cylinder	Spark Plug (denso, w20fpr)
5	11211-43E10-0F0	Cylinder	Cylinder
5	11211-18F00-0F0	Cylinder	Cylinder
6	11241-03A10	Gasket, Cylinder	Gasket, Cylinder
7	01421-06858	Stud Bolt 6x85	Stud Bolt
8	11400-06881	Gasket Set	Gasket Set
8	11400-06883	Gasket Set	Gasket Set



TR50SY (TR50SY E2)

FIG2

CRANKCASE

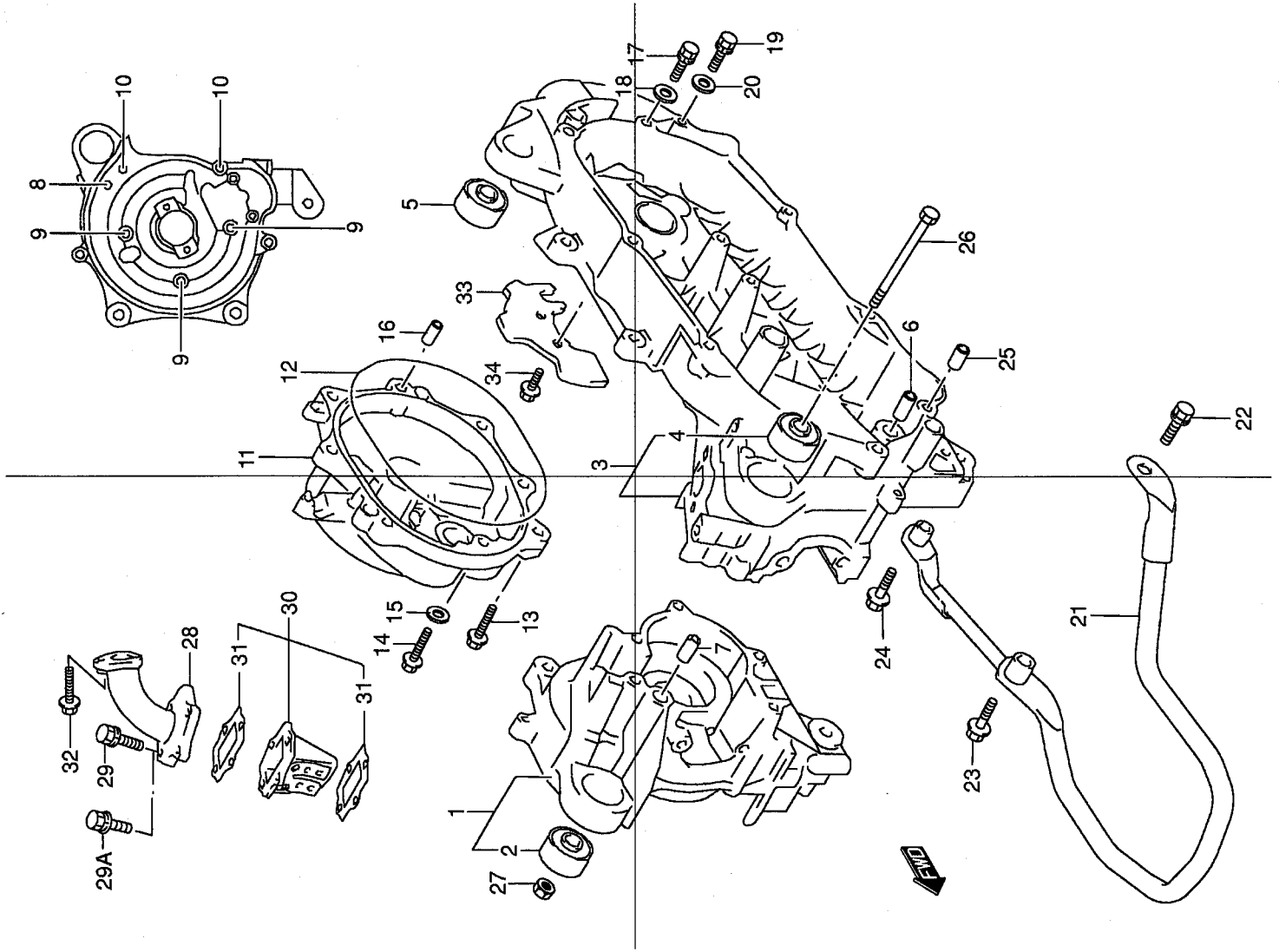
Ref No	Part No	Name	Description
1	11310-06840	Crankcase Set, Rh	Description Crankcase Set, Rh
1	11310-06841	Crankcase Set, Rh	Crankcase Set, Rh
1	11310-06860	Crankcase Set, Rh	Crankcase Set, Rh
2	09319-10050	• Bush, engine Mtg	• Bush
3	11320-06842	Crankcase Set, Lh	Crankcase Set, Lh
3	11320-06843	Crankcase Set, Lh	Crankcase Set, Lh
3	11320-06860	Crankcase Set, Lh	Crankcase Set, Lh
4	09319-10050	• Bush, engine Mtg	• Bush
5	09319-10032	• Bush Shock Abso	• Bush
6	09300-08016	• Bush	• Bush
7	09206-11018	Pin	Pin
8	02112-06753	Screw	Screw
9	02112-06453	Screw	Screw
10	02112-06853	Screw	Screw
11	11430-06841	Gear Box Cover Set	Gear Box Cover Set
12	09280-00029	O Ring (d:2.4, id:161)	O Ring (d:2.4, id:161)
13	01550-08303	Bolt	Bolt
14	09103-08153	Bolt (8x30)	Bolt (8x30)
15	09168-08020	Gasket	Gasket
16	04211-11169	Pin 11x16	Knock Pin
17	01550-08123	Bolt	Bolt
18	09168-08008	Cricc Bolt Gaske	Gasket (8.2x14x1)
19	01550-08123	Bolt	Bolt
20	09168-08008	Cricc Bolt Gaske	Gasket (8.2x14x1)
21	11390-06F01	Guard, Crankcase	Guard, Crankcase
22	01550-08253	Discontinued	Bolt
23	01550-08353	Bolt 8x35	Bolt
24	01550-08453	Bolt, cylinder H	Bolt
25	04211-11169	Pin 11x16	Knock Pin
26	09100-10267	Bolt 0.1x185	Bolt (10x185)

TR50SY (TR50SY E2)

FIG2

CRANKCASE

Ref No	Part No	Name	Description
27	08310-00103	Nut	Nut
28	13111-43E02	Pipe, Intake	Pipe, Intake
28	13111-43E03	Pipe, Intake	Pipe, Intake
28	13110-43E10	Pipe, Intake	Pipe, Intake
29	01550-06203	Bolt	Bolt
29	01550-06203	Bolt	Bolt
29a	09139-06034	Bolt	Bolt
30	13150-43E00	Valve Assy, Reed	Valve Assy, Reed
30	13150-43E10	Valve Assy, Reed	Valve Assy, Reed
31	13156-43E01	• Gasket, Reed Valve	• Gasket, Reed Valve
32	01550-06163	Bolt	Bolt
33	11323-06F10	Plate, Gear Box	Plate, Gear Box
33	11323-06F11	Plate, Gear Box	Plate, Gear Box
34	02112-36123	Screw	Screw

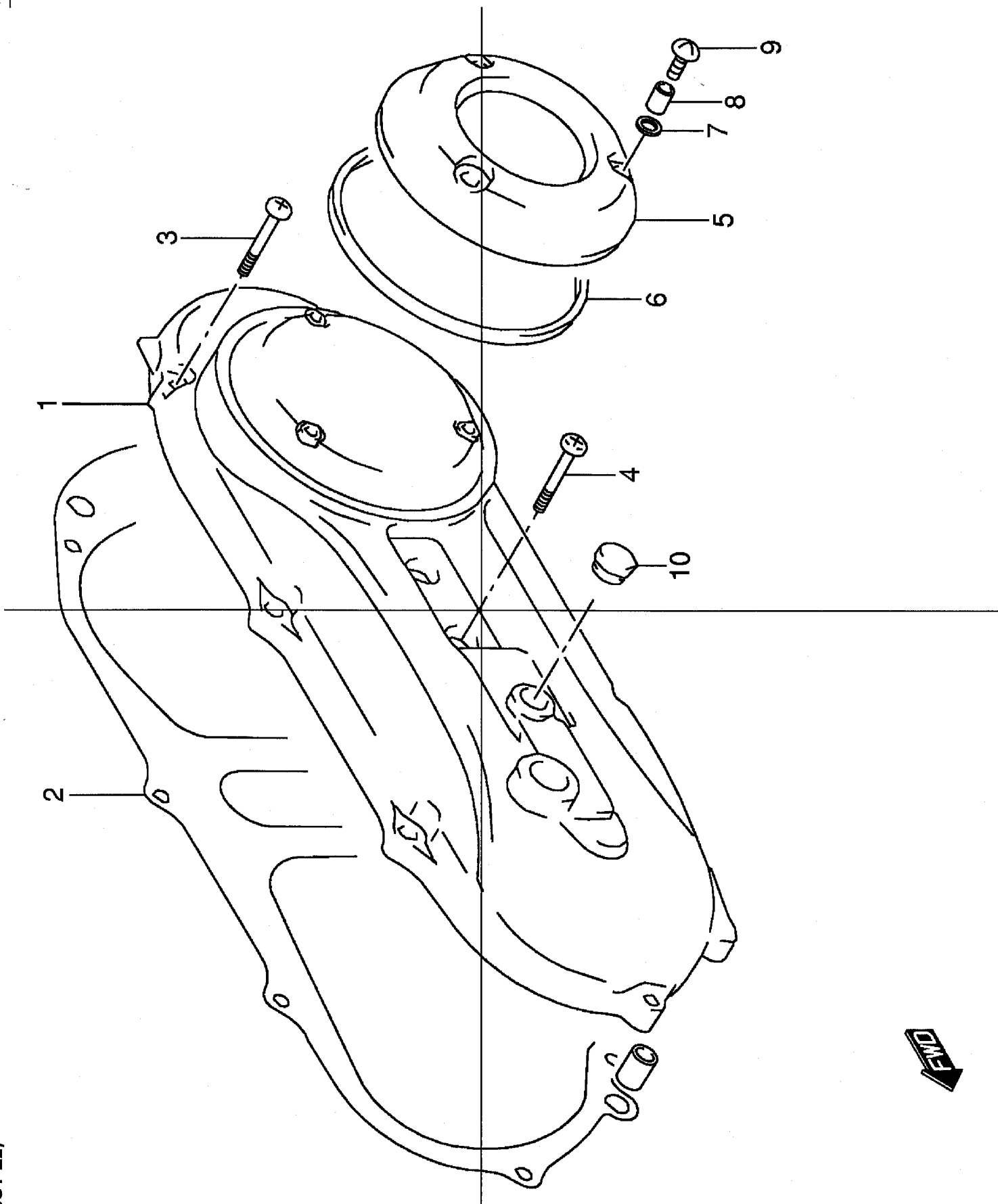


TR50SY (TR50SY E2)

FIG3

CRANKCASE LH COVER

Ref No	Part No	Name	Description
1	11340-06F01-019	Cover, Clutch (black)	Cover, Clutch (black)
2	11482-06F00	Gasket, Clutch Cover	Gasket, Clutch Cover
3	02112-06253	Screw	Screw
4	02112-06353	Screw	Screw
5	11371-06F00-Y0J	Cover, Clutch Outer (gray)	Cover, Clutch Outer (gray)
6	11485-06F00	Cushion, Clutch Outer Cover	Cushion, Clutch Outer Cover
7	09161-09006	Cushion	Cushion
8	09180-06257	Spacer, 6.5x9x6.	Spacer
9	02142-06163	Screw 6x16	Screw
10	09250-18002	Cap	Cap

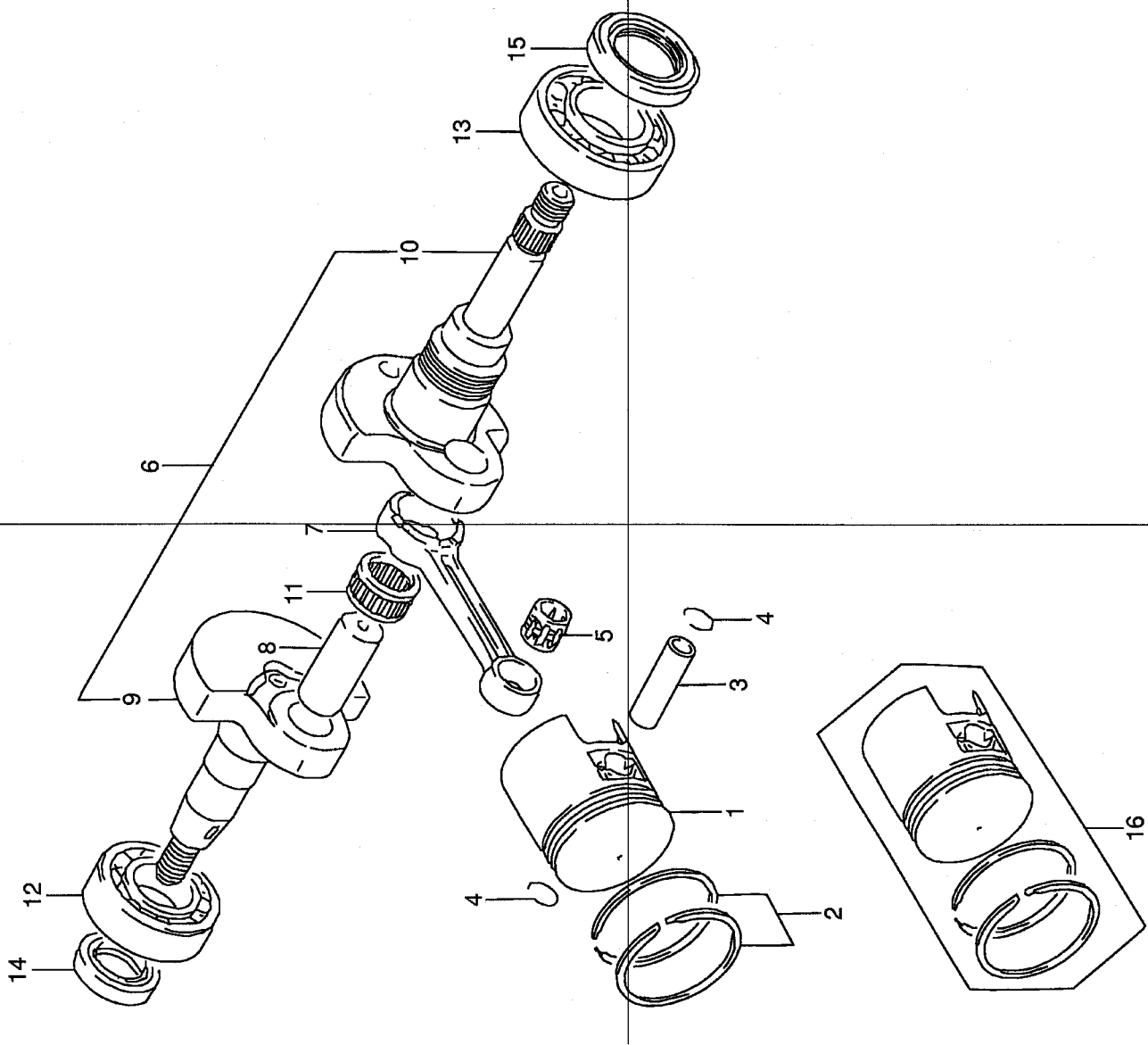


TR50SY (TR50SY E2)

FIG4

CRANKSHAFT

Ref No	Part No	Name	Description
1	12110-40D10-0F0	Piston	Piston
2	12140-29C40	Ring Set, Piston	Ring Set, Piston
3	12151-03A00-0A0	Pin, Piston	Pin, Piston
3	12151-35E00	Pin, Piston	Pin, Piston
4	09381-10006	Circlip	Circlip
5	09263-10017	Bearing (10x14x12.5)	Bearing (10x14x12.5)
5	09263-10018	Bearing (10x14x12.5)	Bearing (10x14x12.5)
6	12200-06F00	Crankshaft Assy	Crankshaft Assy
6	12200-06F01	Crankshaft Assy	Crankshaft Assy
7	12161-37B02	• Connecting Rod	• Connecting Rod
7	12161-37B03	• Connecting Rod	• Connecting Rod
8	12211-37B00	• Pin, Crank	• Pin, Crank
9	12221-43E02	• Crankshaft, Rh	• Crankshaft, Rh
10	12261-06F00	• Crankshaft, Lh	• Crankshaft, Lh
11	09263-16031	• Rn 16x22x12 Big Bearing	• Bearing (16x22x12) Bearing
12	09262-20140	Bearing	Bearing
13	09262-30102	Oil Seal (17x27x6)	Oil Seal (17x27x6)
14	09283-17017	Oil Seal 22x40x	Oil Seal (22x40x6)
15	09283-22012	Piston Set (os:0.5)	Oil Seal (22x40x6)
16	12100-40D10-050	Piston Set (os:0.5)	Piston Set (os:0.5)



TR50SY (TR50SY E2)

FIG5

CARBURETOR

Ref No	Part No	Name	Description
	13200-06F50	Carburetor Assy	Carburetor Assy
	13200-06F30	Carburetor Assy	Carburetor Assy
	13200-06F60	Carburetor Assy	Carburetor Assy
	13200-06F70	Carburetor Assy	Carburetor Assy
	13200-06F40	Carburetor Assy	Carburetor Assy
1	13681-28E00	• Cap, carburetor	• Cap, Carburetor
2	13261-43E00	• Top, Carburetor	• Top, Carburetor
3	13266-43E00	• Gasket	• Gasket
4	13573-43E00	• Spring	• Spring
5	13392-43E00	• Plate, Needle	• Plate, Needle
6	13394-43E00	• Clip, Needle	• Clip, Needle
7	13383-06F50	• Needle, Jet (6ijj)	• Needle, Jet (6ijj)
7	13383-06F30	• Needle, Jet (n4wb)	• Needle, Jet (n4wb)
7	13383-35E20	• Needle, Jet (n4th)	• Needle, Jet (n4th)
7	13383-43E00	• Needle, Jet (3lin)	• Needle, Jet (3lin)
8	13551-43E00	• Valve, Throttle	• Valve, Throttle
9	13683-43E00	• Hose (5x8x90)	• Hose (5x8x90)
10	13433-06F30	• Cover	• Cover
11	02112-34083	• Screw	• Screw
12	13428-06F30	• Plate	• Plate
13	13430-06F30	• Element Assy, Thermo	• Element Assy, Thermo
13	13430-35EE0	• Element Assy, Thermo	• Element Assy, Thermo
14	13436-43E00	• O Ring	• O Ring
15	13279-43E00	• Screw, Adjust (1 3/4)	• Screw, Adjust (1 3/4)

TR50SY (TR50SY E2)

FIG5

CARBURETOR

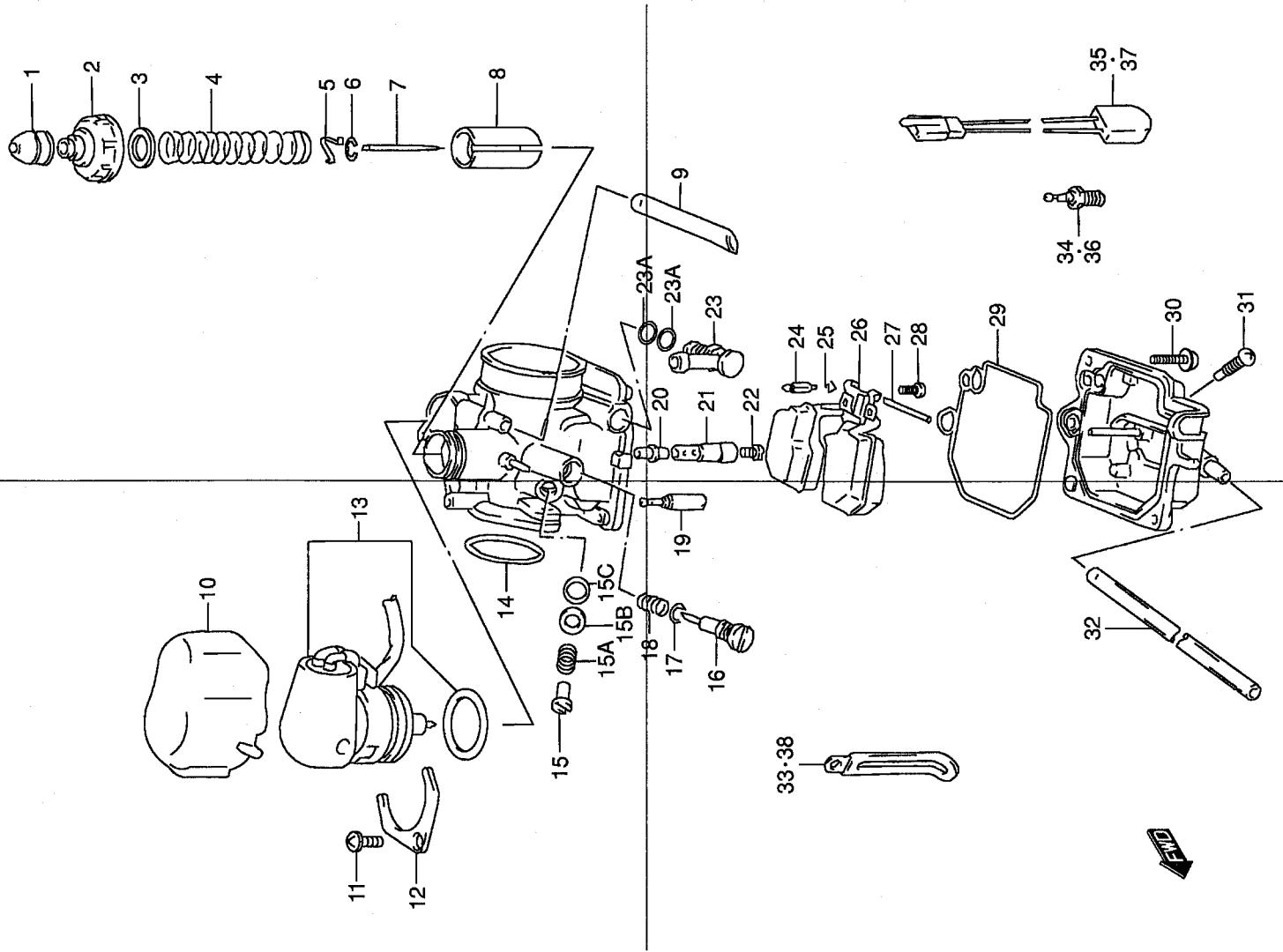
Ref No	Part No	Name	Description
15	13279-43E00	• Screw, Adjust (1 7/8)	• . Screw, Adjust (1 7/8)
15	13279-43E00	• Screw, Adjust (1 3/8)	• . Screw, Adjust (1 3/8)
15	13279-43E00	• Screw, Adjust (1 1/2)	• . Screw, Adjust (1 1/2)
15a	13271-43E00	• Spring	• . Spring
15b	13291-26E00	• Washer	• . Washer
15c	13295-26E00	• O Ring	• . O Ring
16	13267-43E00	• Screw, Stop	• . Screw, Stop
16	13267-35E00	• Screw, Stop	• . Screw, Stop
17	13278-43E00	• O Ring	• . O Ring
18	13297-43E00	• Spring	• . Spring
19	09492-40023	• Jet, Slow (40)	• . Jet, Slow (40)
19	09492-38003	• Jet, Slow (38)	• . Jet, Slow (38)
19	09492-35023	• Jet, Slow (35)	• . Jet, Slow (35)
20	13341-43E00	• Jet, Needle	• . Jet, Needle
21	13342-43E00	• Holder, Jet	• . Holder, Jet
21	13342-06F40	• Holder, Jet	• . Holder, Jet
22	09491-75011	• Jet, Main (75)	• . Jet, Main (75)
22	09491-60011	• Jet, Main (60)	• . Jet, Main (60)
22	09491-58003	• Jet, Main (58)	• . Jet, Main (58)
22	09491-72013	• Jet, Main (72)	• . Jet, Main (72)
23	13685-43E00	• Joint	• . Joint
23a	13294-43E00	• O Ring	• . O Ring
24	13370-43E00	• Valve, Needle	• . Valve, Needle

TR50SY (TR50SY E2)

FIG5

CARBURETOR

Ref No	Part No	Name	Description
25	13375-43E00	• Clip, Needle Valve	• . Clip, Needle Valve
26	13250-43E00	• Float Assy	• . Float Assy
27	13254-43E00	• Pin, Float	• . Pin, Float
28	13602-43E00	• Screw	• . Screw
29	13258-43E00	• Gasket	• . Gasket
30	13602-26E10	• Screw	• . Screw
31	13247-43E00	• Plug, Drain	• . Plug, Drain
32	09352-40703-600	• Hose 4x7x600	• . Hose (4x7x600)
33	09404-06432	Clamp	Clamp (t:60)
34	13650-25E01	Heat Assy, Carb	Heater, Carburetor
35	13655-25E00	Discontinued	Thermo Switch, Carb Heater
35	13655-16F00	Thermo Switch, Carb Heater	Thermo Switch, Carb Heater
36	13650-25E01	Heat Assy, Carb	Heater, Carburetor
37	13655-25E00	Discontinued	Thermo Switch, Carburetor
38	09404-06432	Clamp	Clamp (t:60)

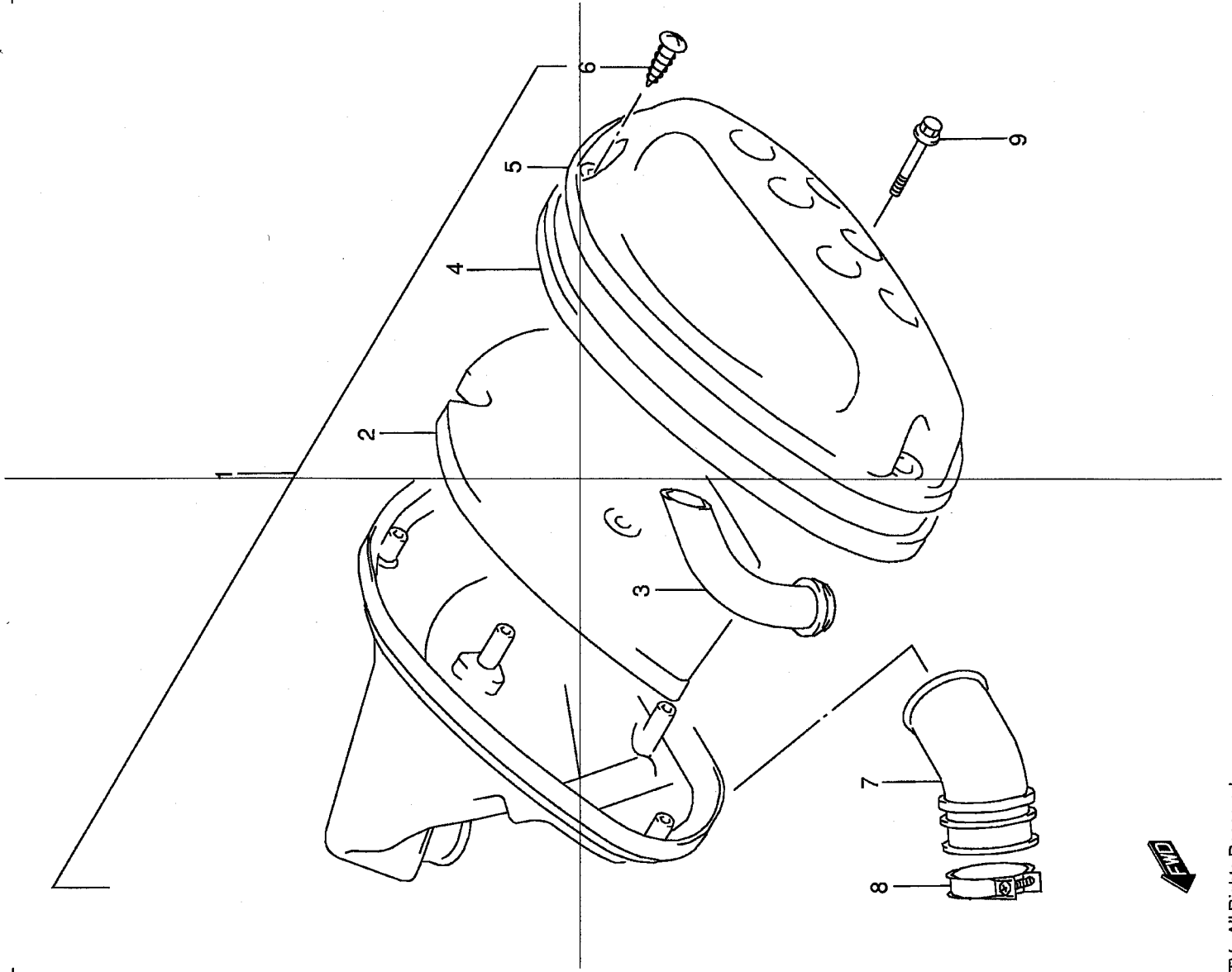


TR50SY (TR50SY E2)

FIG6

AIR CLEANER

Ref No	Part No	Name	Description
1	13700-06F00	Cleaner Assy, Air	Cleaner Assy, Air
1	13700-06F10	Cleaner Assy, Air	Cleaner Assy, Air
2	13781-06F00	• Filter, Air Cleaner	• Filter, Air Cleaner
2	13780-06F10	• Filter, Air Cleaner	• Filter, Air Cleaner
3	13891-06F00	• Tube, Inlet	• Tube, Inlet
4	13746-06F00	• Gasket, Cleaner	• Gasket, Cleaner
5	13741-06F00	• Cap, Cleaner	• Cap, Cleaner
6	13831-06F00	• Screw	• Screw
7	13881-06F00	• Tube, Outlet	• Tube, Outlet
8	13170-43E00	• Clamp, Outlet Tube	• Clamp, Outlet Tube
9	09116-06148	Bolt, clutch Spr	Bolt (6x32.5)



TR50SY (TR50SY E2)

FIG7

MUFFLER

Ref No	Part No	Name	Description
1	14181-06F00	Gasket, Exhaust Pipe	Description
2	07120-06163	Bolt, magneto St	Gasket, Exhaust Pipe
2	09103-06202	Bolt	Bolt
3	14771-48002	Connector Muffl	Connector, Muffler
4	14310-06F10	Body, Muffler 1st	Body, Muffler 1st
4	14310-06F20	Body, Muffler 1st	Body, Muffler 1st
4	14310-06F30	Body, Muffler 1st	Body, Muffler 1st
4	14310-06F50	Body, Muffler 1st	Body, Muffler 1st
4	14310-06F40	Body, Muffler 1st	Body, Muffler 1st
5	14780-06F00	Cover, Muffler 1st	Cover, Muffler 1st
6	09139-06076	Screw 6x10	Screw (6x10)
7	14770-06F00	Bracket, Muffler Support	Bracket, Muffler Support
8	01550-08203	Hex Bolt 8x20	Bolt
9	09118-08152	Bolt, m8x45	Bolt (8x45)
10	09180-08152	Spacer, 8.6x12x2	Spacer (8.6x12x2.2)
10	09180-08212	Spacer (8.6x12x23)	Spacer (8.6x12x23)
11	09320-12048	Cushion	Cushion
12	14330-06F11	Body, Muffler 2nd	Body, Muffler 2nd
12	14330-06F30	Body, Muffler 2nd	Body, Muffler 2nd
12	14330-06F50	Body, Muffler 2nd	Body, Muffler 2nd
13	14795-06F00	Grommet, 2nd Muffler Cover	Grommet, 2nd Muffler Cover
14	14305-06F20	Muffler, 2nd	Muffler, 2nd
15	14441-06F00	Bracket, 2nd Muffler Support	Bracket, 2nd Muffler Support

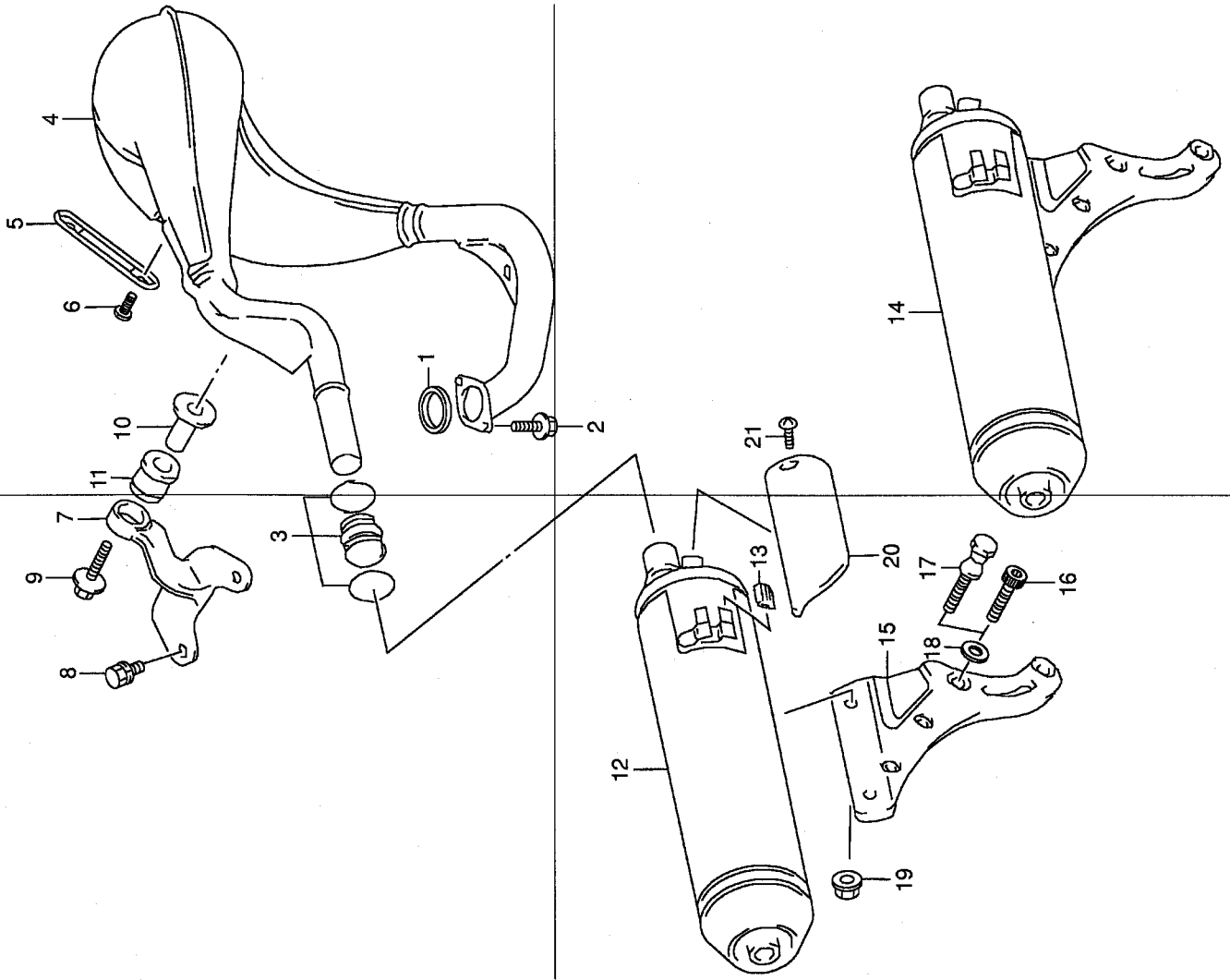
TR50SY (TR50SY E2)

FIG7

MUFFLER

Ref No	Part No	Name	Description
16	07130-08257	Bolt	Bolt
16	07130-08257	Bolt	Bolt, Lower
17	14454-06F00	Bolt, Upper	Bolt, Upper
18	09160-08097	Washer (8.5x16x1.6)	Washer (8.5x16x1.6)
19	08319-31083	Nut, Transfer C	Nut
20	14790-06F00	Cover, Muffler 2nd	Cover, Muffler 2nd
21	09139-06076	Screw 6x10	Screw (6x10)

END

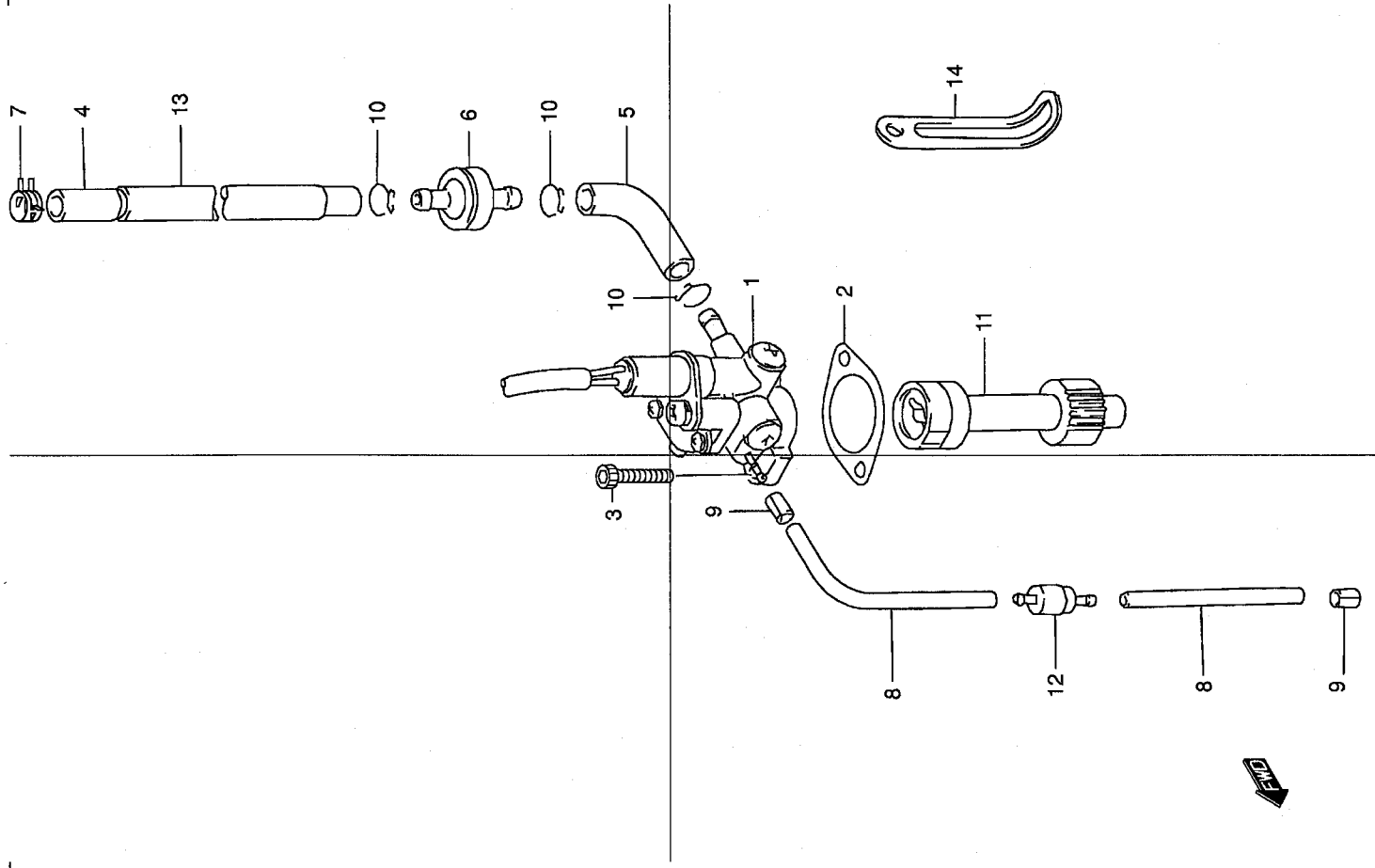


TR50SY (TR50SY E2)

FIG8

OIL PUMP (MODEL W/X)

Ref No	Part No	Name	Description
1	16100-06F00	Pump Assy, Oil	Pump Assy, Oil
2	16731-37B00	Gasket, Oil Pump	Gasket, Oil Pump
3	07130-05163	Bolt	Bolt
4	16821-06F00	Hose (5x9x200)	Hose (5x9x200)
5	16821-43E00	Hose, Oil No.1 (1:50)	Hose, Oil No.1 (1:50)
6	16850-06F00	Filter, Oil No.1	Filter, Oil No.1
7	09401-08411	Clip	Clip
8	09352-20503-600	Hose 2x5x600	Hose (2x5x600)
9	09401-04401	Oil Hoseclamp	Clip
10	09401-08401	Oil Hose Clamp	Clip
11	16331-43E00	Gear, Oil Pump Driven	Gear, Oil Pump Driven
12	16910-41D00	Valve, Oil Hose No.2 Check	Valve, Oil Hose No.2 Check
13	09351-10127-600	Hose (10x12x600)	Hose (10x12x600)
14	09404-06432	Clamp	Clamp (1:80)

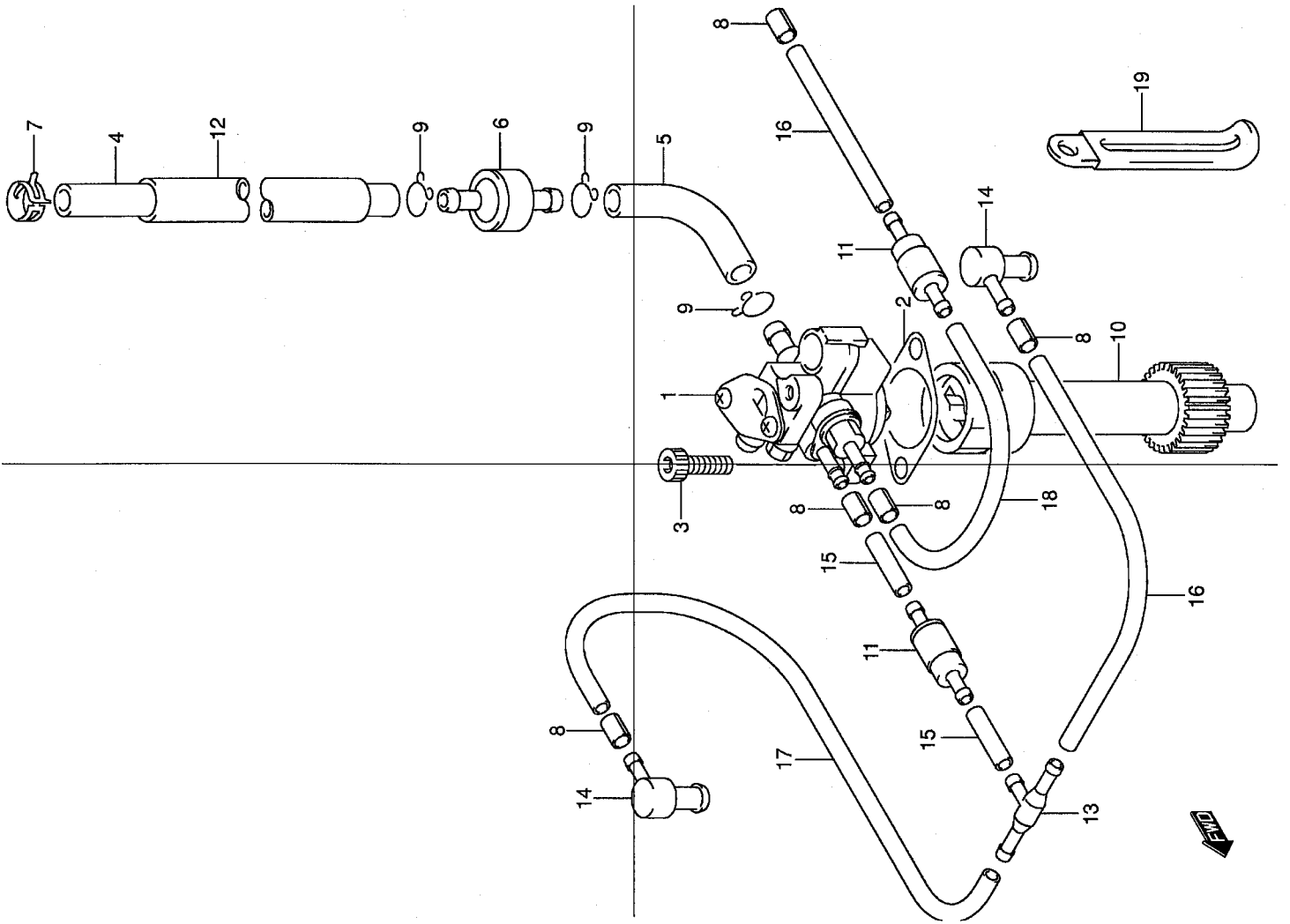


TR50SY (TR50SY E2)

FIG8A

OIL PUMP (MODEL Y)

Ref No	Part No	Name	Description
1	16100-43E40	Pump Assy, Oil	Pump Assy, Oil
2	16731-37B00	Gasket, Oil Pump	Gasket, Oil Pump
3	07130-05163	Bolt	Bolt
4	16821-06F00	Hose (5x9x200)	Hose (5x9x200)
5	16821-43E00	Hose, Oil No.1 (1:50)	Hose, Oil No.1 (1:50)
6	16850-06F00	Filter, Oil No.1	Filter, Oil No.1
7	09401-08411	Clip	Clip, Oil Hose No.1
8	16878-16F00	Clip, Oil Hose No.2	Clip, Oil Hose No.2
9	09401-08401	Oil Hose Clamp	Clip
10	16331-43E00	Gear, Oil Pump Driven	Gear, Oil Pump Driven
11	16910-41D00	Valve, Oil Hose No.2 Check	Valve, Oil Hose No.2 Check
12	09351-10127-600	Hose (10x12x600)	Hose (10x12x600)
13	16879-16F00	Joint, Oil Hose	Joint, Oil Hose
14	16910-21D00	Nipple, Oil Hose	Nipple, Oil Hose
15	09352-20503-600	Hose 2x5x600	Hose (2x5x600)
16	09352-20503-600	Hose 2x5x600	Hose (2x5x600)
17	09352-20503-600	Hose 2x5x600	Hose (2x5x600)
18	09352-20503-600	Hose 2x5x600	Hose (2x5x600)
19	09404-06432	Clamp	Clamp (1:80)

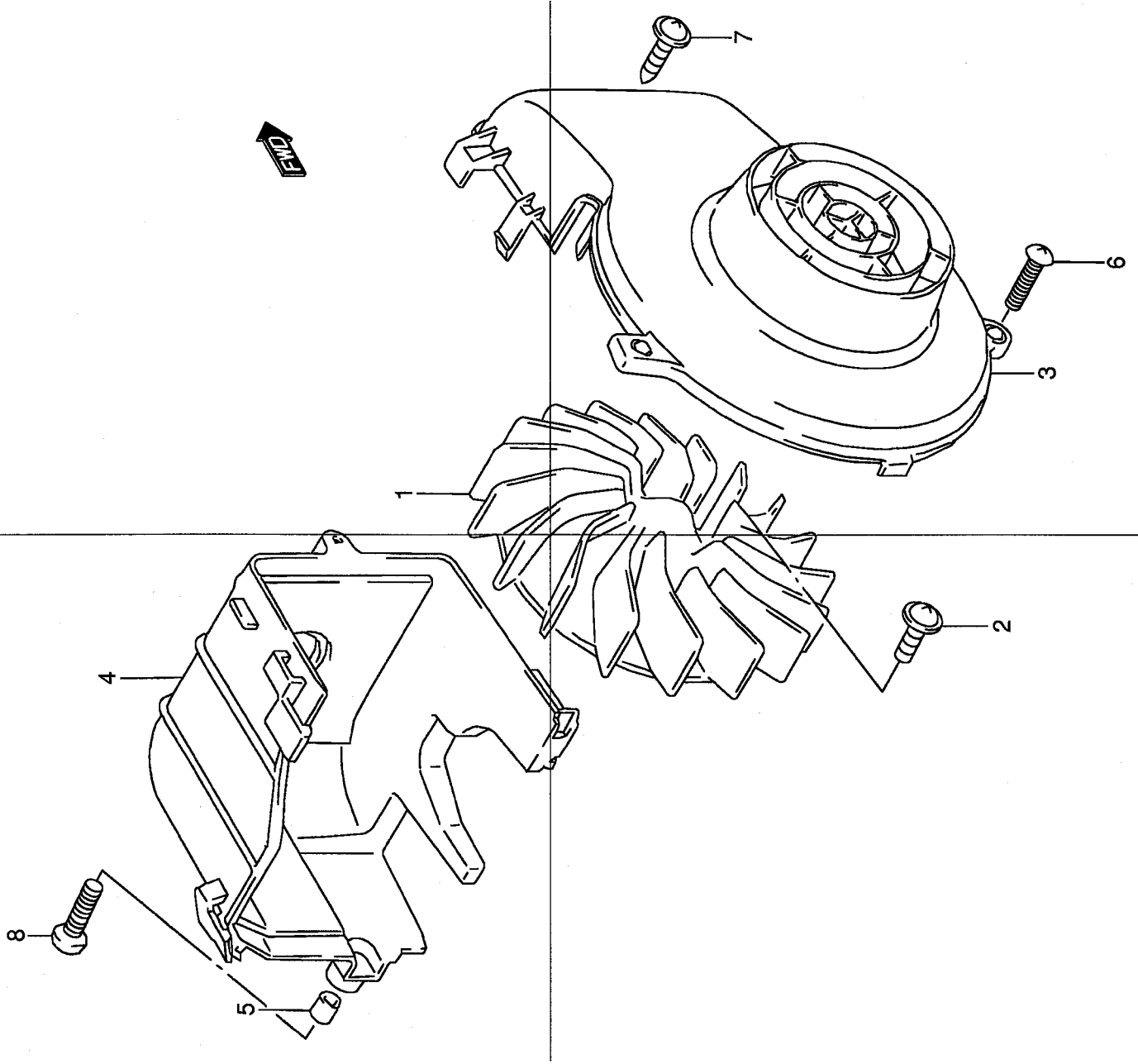


TR50SY (TR50SY E2)

FIG9

COOLING FAN

Ref No	Part No	Name	Description
1	17110-43E00	Fan, Cooling	Description Fan, Cooling
2	02112-16123	Screw	Screw
2	01550-06123	Bolt	Screw
3	17130-43E00	Cowling, Fan	Cowling, Fan
4	17120-43E00	Cowling, Cylinder	Cowling, Cylinder
5	09180-06285	• Spacer, 6.5x10x9	• Spacer
6	02142-06203	Screw 6x20	Screw
6	02142-06163	Screw 6x16	Screw
7	03111-16203	Screw	Screw
8	02142-06203	Screw 6x20	Screw

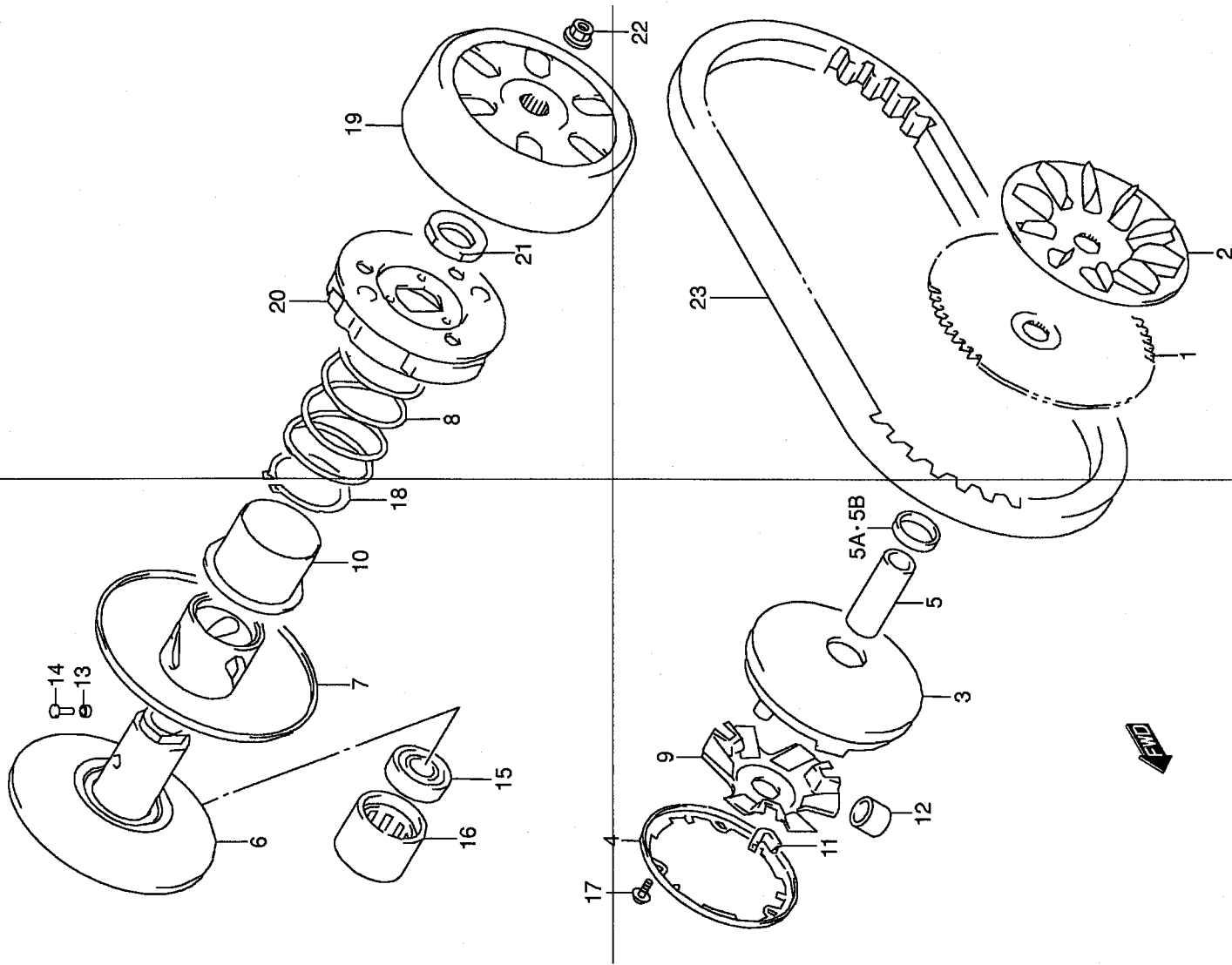


TR50SY (TR50SY E2)

FIG10

TRANSMISSION (1)

Ref No	Part No	Name	Description	Notes
1	21111-06F00	Face, Fixed Drive	Face, Fixed Drive	
2	21113-37B10	Fan, Fixed Drive	Fan, Fixed Drive	
3	21120-06F00	Face, Movable Drive	Face, Movable Drive	
4	21122-43E10	Cover, Movable Drive	Cover, Movable Drive	
5	21125-06F00	Spacer, Movable Drive	Spacer, Movable Drive	E25
5a	21128-06F00	Spacer, Movable Drive Stopper	Spacer, Movable Drive Stopper	E26
5b	21128-06F11	Spacer, Movable Drive Stopper	Spacer, Movable Drive Stopper	
6	21210-06F00	Face, Fixed Driven	Face, Fixed Driven	
7	21240-06F00	Face, Movable Driven	Face, Movable Driven	
8	21243-20E20	Spring	Spring	~f.no.js1ah111100100063, ~f.no.js1ah21120010C
8	21243-06F10	Spring	Spring	F.no.js1ah111100100064-, F.no.js1ah211200100
9	21431-06F01	Plate, Movable Drive	Plate, Movable Drive	
10	21471-03A03	Sheet, movable F	Seat, Movable Driven Face	
11	21481-29C40	Damper, Movable Drive	Damper, Movable Drive	
12	21650-41D50	Roller, Movable Drive	Roller, Movable Drive	
13	21249-06F00	Spacer	Spacer	
14	21248-06F00	Pin	Pin	
15	09262-12018	Bearing (12x24x6)	Bearing (12x24x6)	
16	09263-17042	Bearing	Bearing (17x25x16.7)	
17	02142-04103	Screw 4x10	Screw	
18	08331-41246	Circlip	Circlip	
19	21220-04C21	Housing Clutch	Housing Clutch	
20	21501-36C40	Clutch Assy, Shoe	Clutch Assy, Shoe	
21	09140-28004	Nut	Nut	
22	08316-10103	Nut	Nut	
23	27601-06F01	V Belt, Drive	V Belt, Drive	

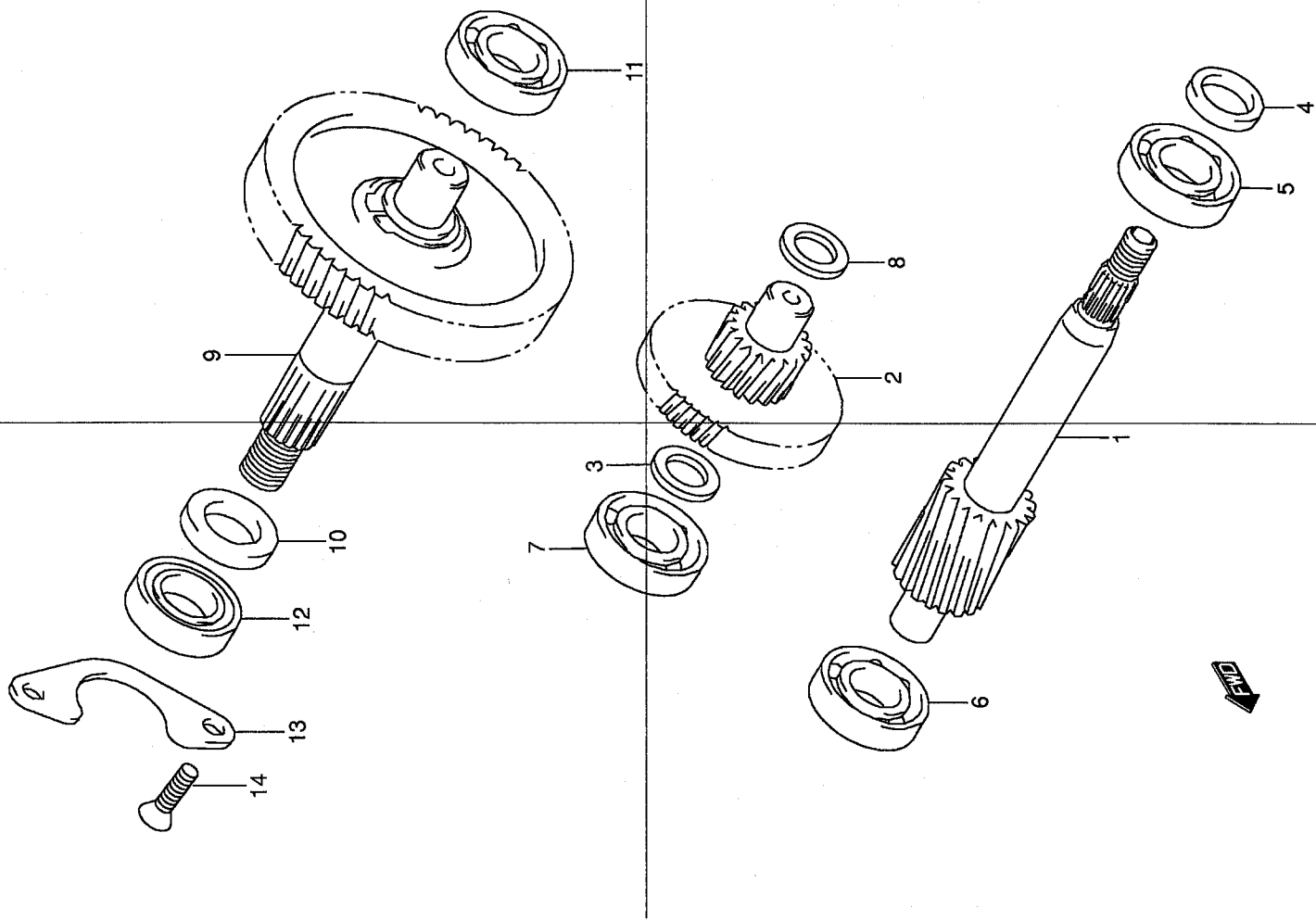


TR50SY (TR50SY E2)

FIG11

TRANSMISSION (2)

Ref No	Part No	Name	Description
1	24131-06F00	Shaft, Drive	Description
2	24150-43E40	Shaft, Idle	Shaft, Drive Shaft, Idle
2	24150-43E20	Shaft, Idle	Shaft, Idle
3	09181-12167	Washer, Thrust	Washer (12x20x1.0)
4	09283-17023	Oil Seal (17x28x5.5)	Oil Seal (17x28x5.5)
5	08113-63030	B1 17x47x14 Bea	Bearing
6	08113-62017	B1 12x32x10 Bea	Bearing
7	08113-62017	B1 12x32x10 Bea	Bearing
8	08211-16251	4th Drive Gr Wa	Thrust Washer
9	24140-06F31	Shaft, Rear Axle	Shaft, Rear Axle
9	24140-06F01	Shaft, Rear Axle	Shaft, Rear Axle
10	64841-28E00	Seal, rear Hub B	Seal, Dust (29x42x6)
11	08110-62030	B1 17x40x12 Bea	Bearing
12	09262-22027	Bearing, 22x50x	Bearing (22x50x14)
13	24751-07900	Retainer, Bearing	Retainer, Bearing
14	02122-06163	Screw 6x16	Screw
14	09126-06014	Screw(6x16)	Screw

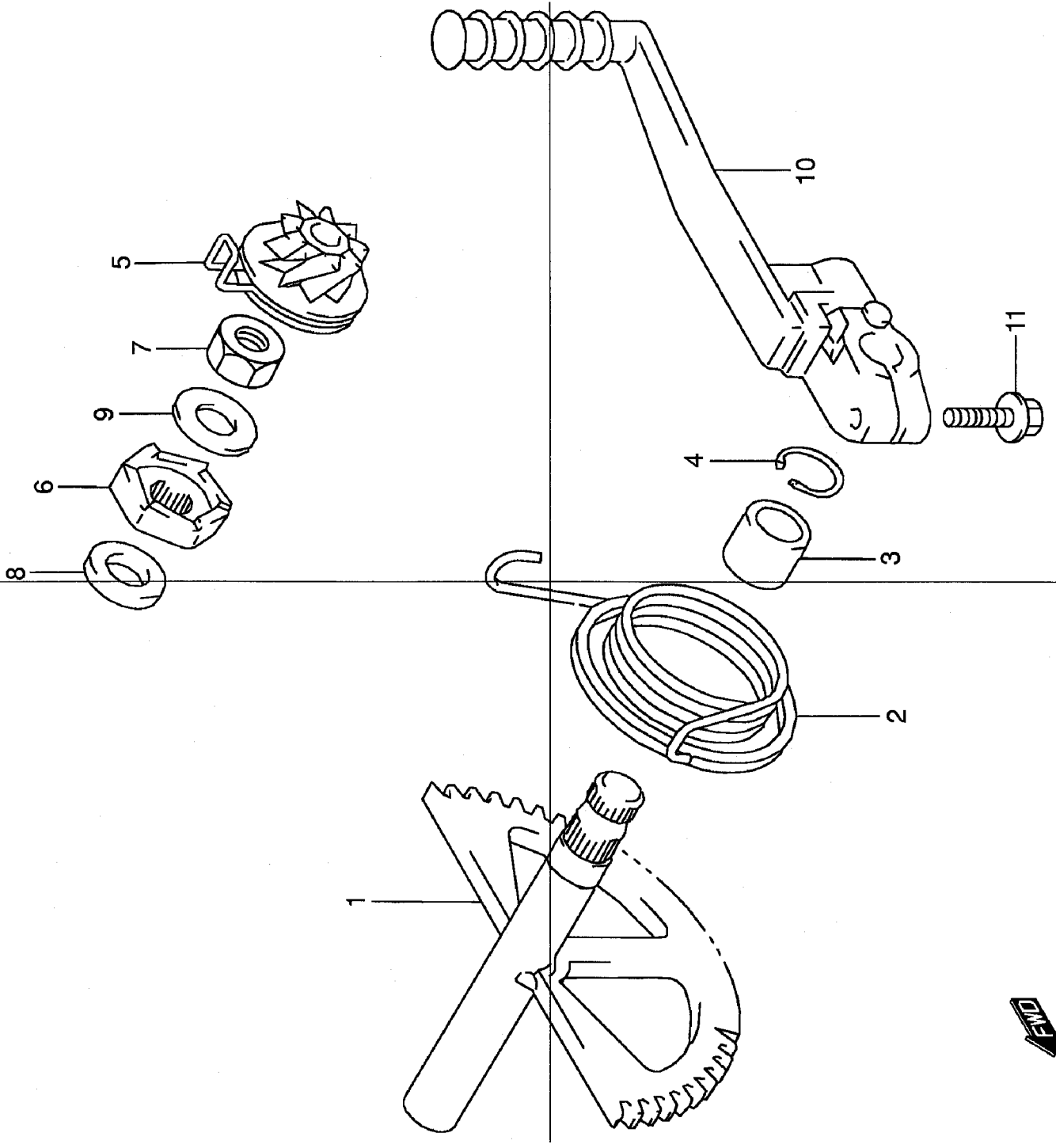


TR50SY (TR50SY E2)

FIG12

KICK STARTER

Ref No	Part No	Name	Description
1	26210-06F02	Shaft Kick Starter	Shaft Kick Starter
2	26212-43E00	Spring, Kick Starter Shaft	Spring, Kick Starter Shaft
3	09300-14D11	Bush (14x18x15)	Bush (14x18x15)
4	08331-31146	Circlip	Circlip
5	26200-06F00	Gear Assy, Kick Starter Driven	Gear Assy, Kick Starter Driven
6	26231-43E00	Starter, Kick Rh	Starter, Kick Rh
7	09140-12D39	Nut	Nut
8	09160-14D36	Washer (14x23x3.6)	Washer (14x23x3.6)
9	09164-12D20	Washer	Washer
10	26300-43E11	Lever Assy, Kick Starter	Lever Assy, Kick Starter
11	01500-06203	Discontinued	Bolt



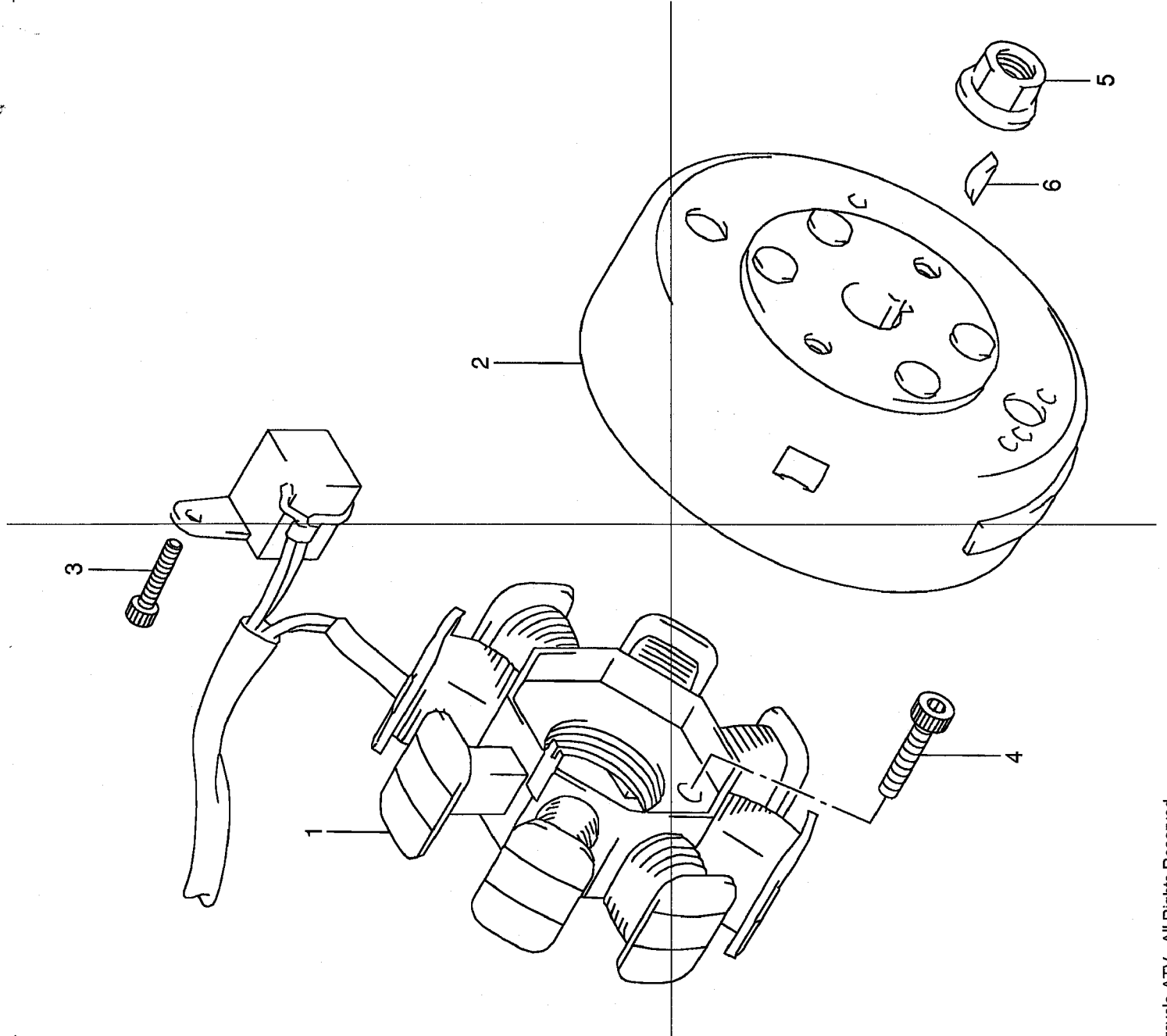
END

TR50SY (TR50SY E2)

FIG13

MAGNETO

Ref No	Part No	Name	Description
1	32101-43E00	Stator Assy	Stator Assy
2	32102-06F00	Rotor Assy	Rotor Assy
3	07130-05123	Bolt	Bolt
4	07130-05203	Screw	Screw
5	08316-10103	Nut	Nut
6	08341-31039	3 Mm Woodruff K	Key

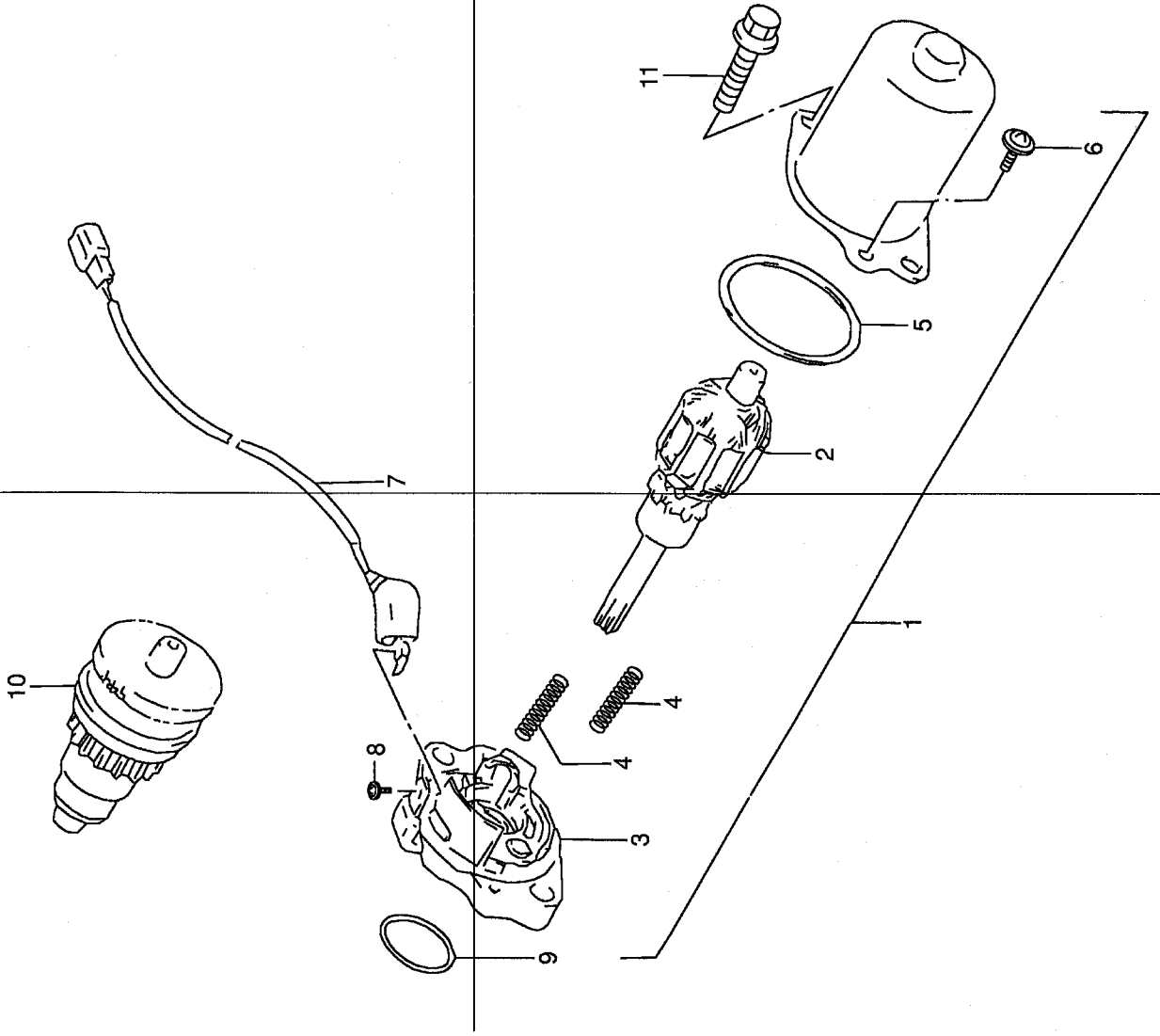


TR50SY (TR50SY E2)

FIG14

STARTING MOTOR

Ref No	Part No	Name	Description
1	31100-36C02	Motor Assy, Starting	Motor Assy, Starting
2	31311-37B01	• Armature Assy	• Armature Assy
3	31130-37B01	• Holder Assy, Brush	• Holder Assy, Brush
4	31135-47A00	• Spring, Brush	• Spring, Brush
5	31157-03A00	• Gasket	• Gasket
6	02112-34103	• Discontinued	• Screw
7	31142-37B01	• Wire, Lead	• Wire, Lead
8	02112-34063	• Screw	• Screw
9	09280-19005	• O-ring, eng Spro	• O Ring (d:2.4, id:19)
10	31370-37B01	Pinion Assy, Starting Motor	Pinion Assy, Starting Motor
11	01547-06253	Bolt	Bolt

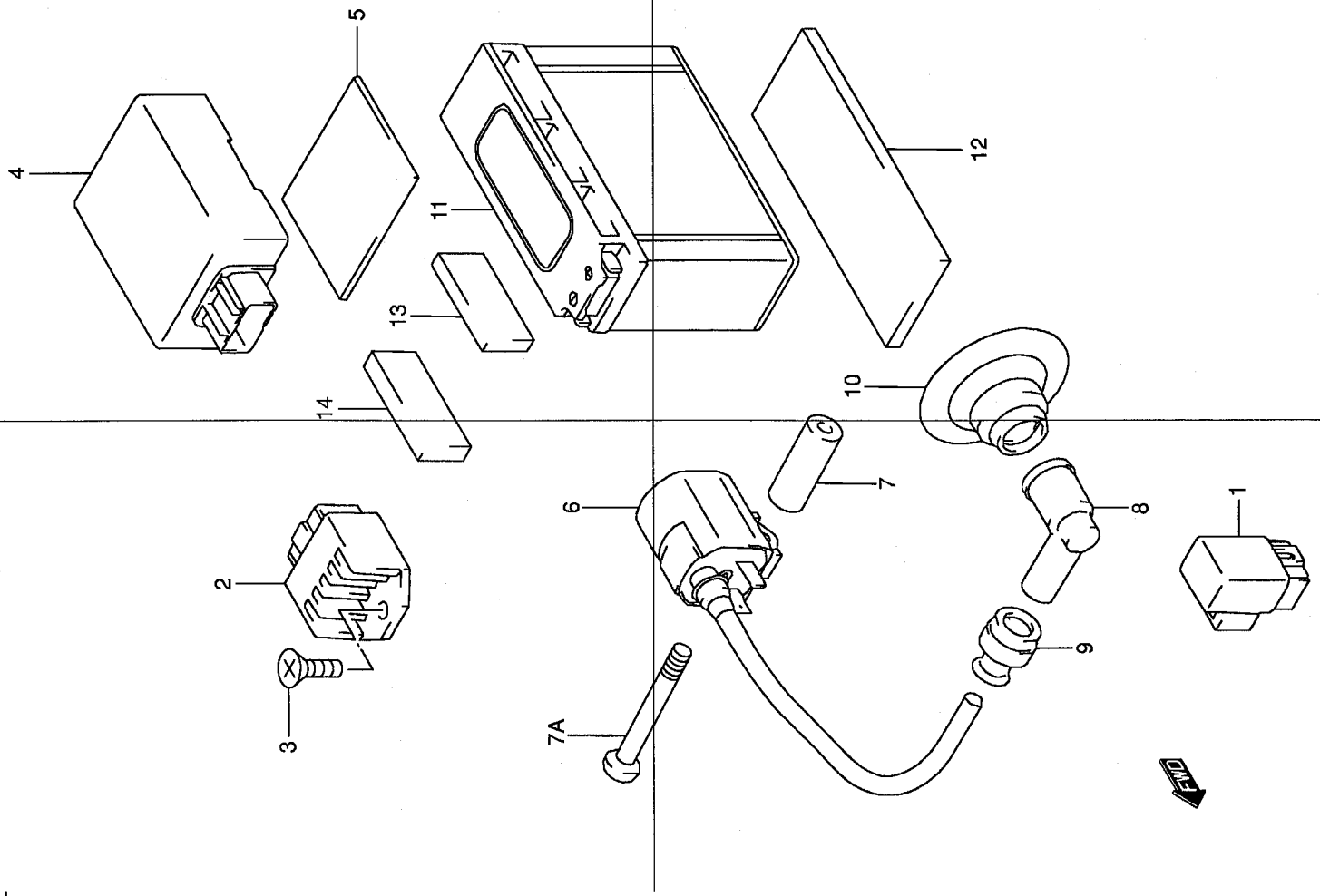


TR50SY (TR50SY E2)

FIG15

ELECTRICAL

Ref No	Part No	Name	Description
1	31800-29C00	Relay, Starting Motor	Relay, Starting Motor
2	32800-43E00	Rectifier Assy	Rectifier Assy
2	32800-43E10	Rectifier Assy	Rectifier Assy
3	02112-06123	Screw 6x12	Screw
4	32900-06F40	Cdi Unit	Cdi Unit
4	32900-06F50	Cdi Unit	Cdi Unit
4	32900-06F20	Cdi Unit	Cdi Unit
4	32900-06FC0	Cdi Unit	Cdi Unit
5	33651-37000	Bat Protector N	Protector (170x95x3.0)
6	33410-43E00	Coil Assy, Ignition	Coil Assy, Ignition
7	09180-06323	Spacer (6.2x15.5x35)	Spacer (6.2x15.5x35)
7a	02142-06553	Screw	Screw
8	33510-35411	Cap Assy,spark	Cap Assy, Spark Plug
9	33542-38B00	Seal Hi Tension	Seal, High Tension Cord
10	33543-02100	Boot, Spark Plug	Boot, Spark Plug
11	33610-39C20	Battery Assy	Battery Assy
12	33651-37000	Bat Protector N	Protector (170x95x3.0)
13	33652-28000	Cushion	Protector (20x45x6)
14	33652-35400	Protector, batte	Protector (20x50x8)



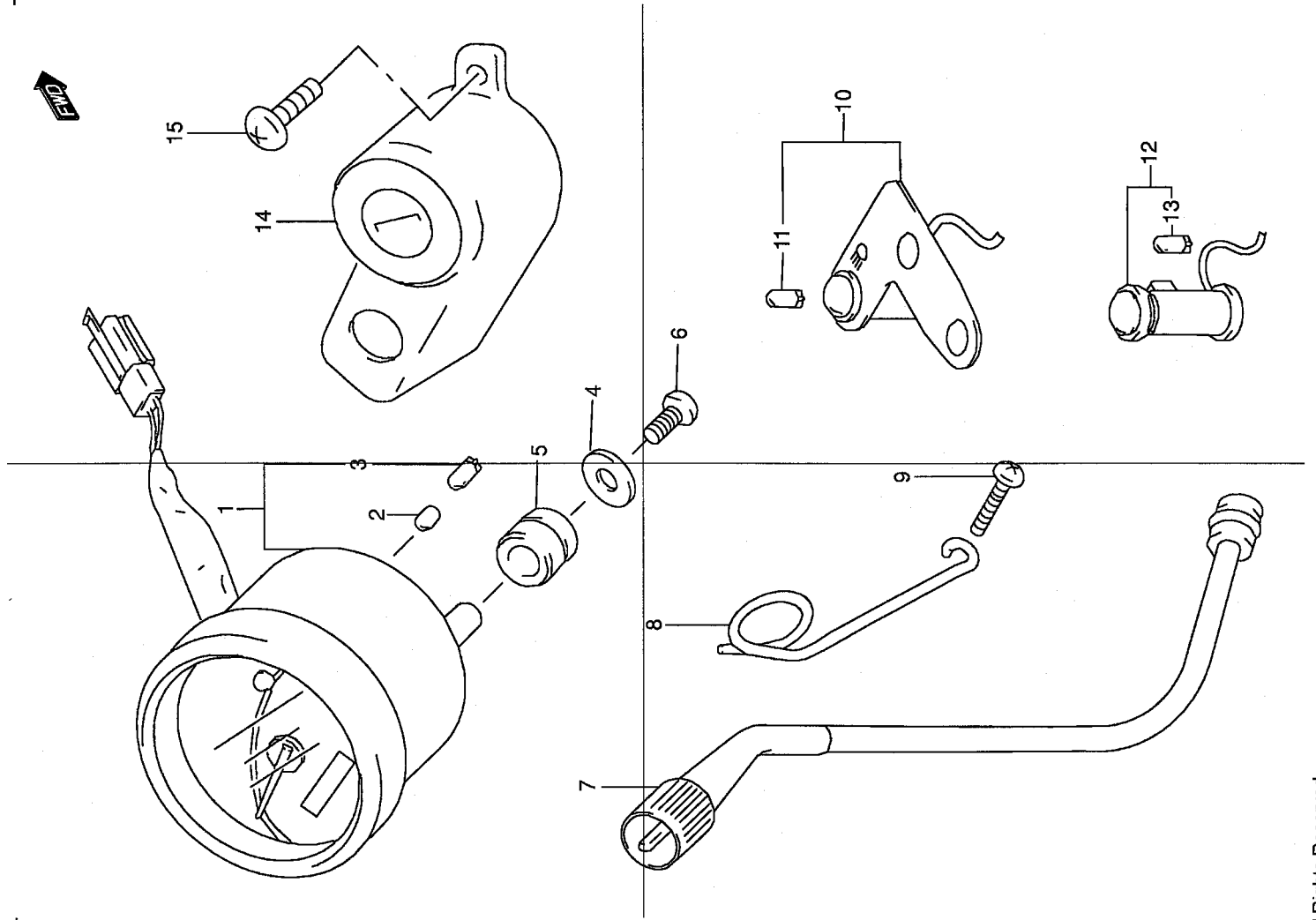
TR50SY (TR50SY E2)

FIG16

SPEEDOMETER

Ref No	Part No	Name	Description
1	34100-06F10	Speedometer Assy (mile/kilo)	Speedometer Assy (mile/kilo)
1	34100-06F20	Speedometer Assy (kilo)	Speedometer Assy (kilo)
2	34178-06F00	• Cap (green)	• Cap (green)
3	09471-12077	• Bulb	• Bulb (12v, 1.7w)
4	09160-05037	Washer 5.5x16x1	Washer (5.5x16x1.20)
5	09320-08015	Cyl Head Cov Ch	Cusion
6	02112-05103	Screw, 5x10.8x1	Screw
7	34910-06F00	Cable Assy, Speedometer	Cable Assy, Speedometer
8	34938-06F10	Guide, Speedometer Cable	Guide, Speedometer Cable
9	02142-05203	Screw 5 X 20	Screw
10	36330-06F00	Lamp Assy, Beam Indicator	Lamp Assy, Beam Indicator
11	09471-12028	• Bulb Speedomete	• Bulb (12v, 3.4w)
12	36340-06F01	Lamp Assy, Turn Signal Pilot	Lamp Assy, Turn Signal Pilot
13	09471-12028	• Bulb Speedomete	• Bulb (12v, 3.4w)
14	36381-06F10	Housing, Pilot Lamp	Housing, Pilot Lamp
15	02142-04103	Screw 4x10	Screw

END

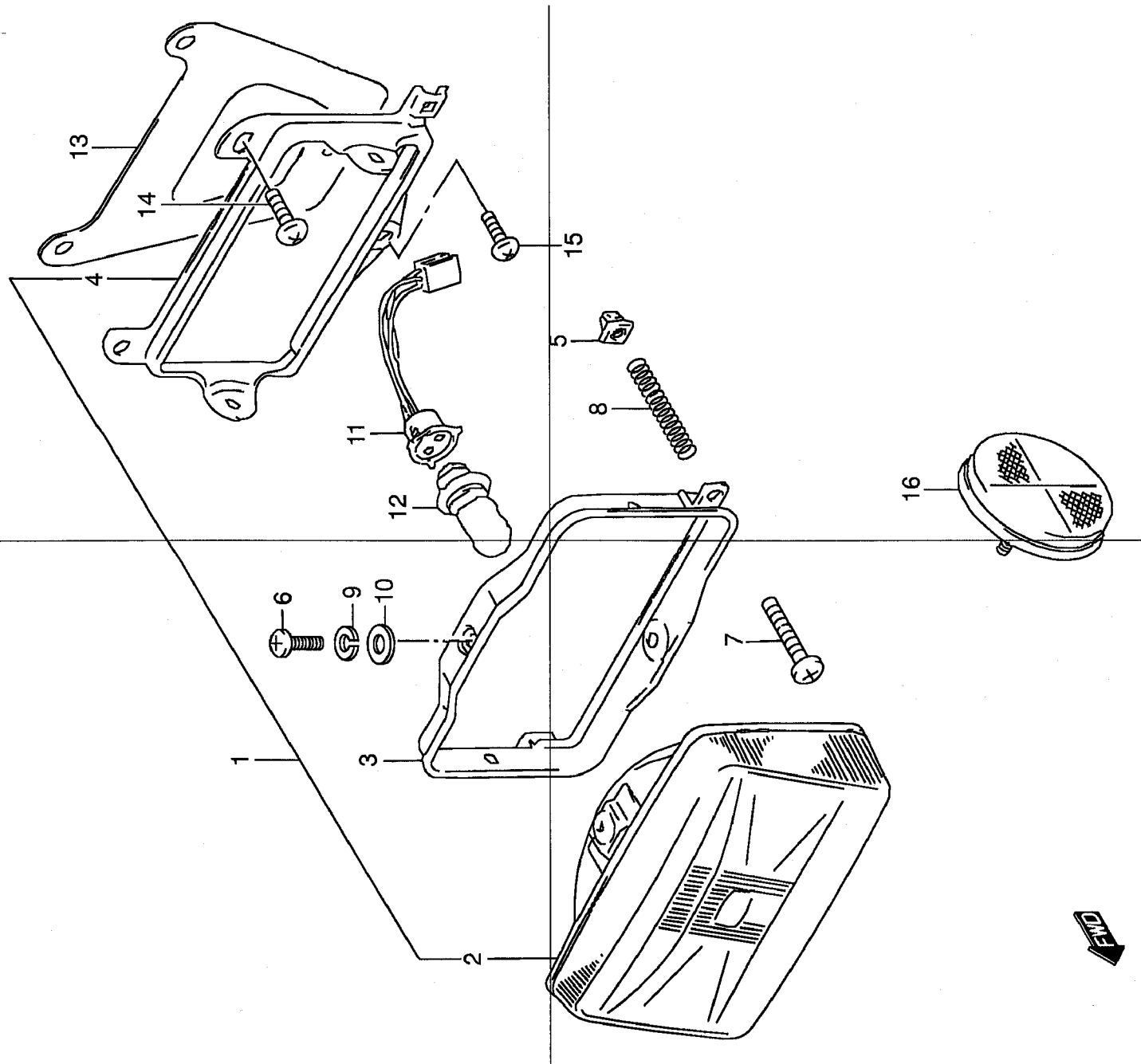


TR50SY (TR50SY E2)

FIG17

HEADLAMP (E2)

Ref No	Part No	Name	Description
1	35100-06F20-999	Headlamp Assy	Headlamp Assy
2	35121-36C20	• Unit	• Unit
3	35127-36C20	• Ring, Retaining	• Ring, Retaining
4	35130-36C20	• Ring, Mounting	• Ring, Mounting
5	35135-12E20	• Nut, adjusting	• Nut, Adjusting
6	35136-16700	• Screw	• Screw (12v,40/40w)
7	35151-45900	• Discontinued	• Screw
8	35154-10B00	• Spring	• Spring
9	08321-01057	• Discontinued	• Lock Washer
10	08322-01053	• Washer	• Washer
11	35171-36650	• Cord Assy	• Cord Assy
12	09471-12017	Bulb (12v,25/25w)	Bulb (12v,25/25w)
13	35195-36C20	Reinf, Headlamp Bracket	Reinf, Headlamp Bracket
14	02142-05163	Screw	Screw, Headlamp Upper
15	03542-06123	Screw	Screw, Headlamp Lower
16	35950-14A00	Reflector,refle	Reflex Reflector Assy, Fr Side

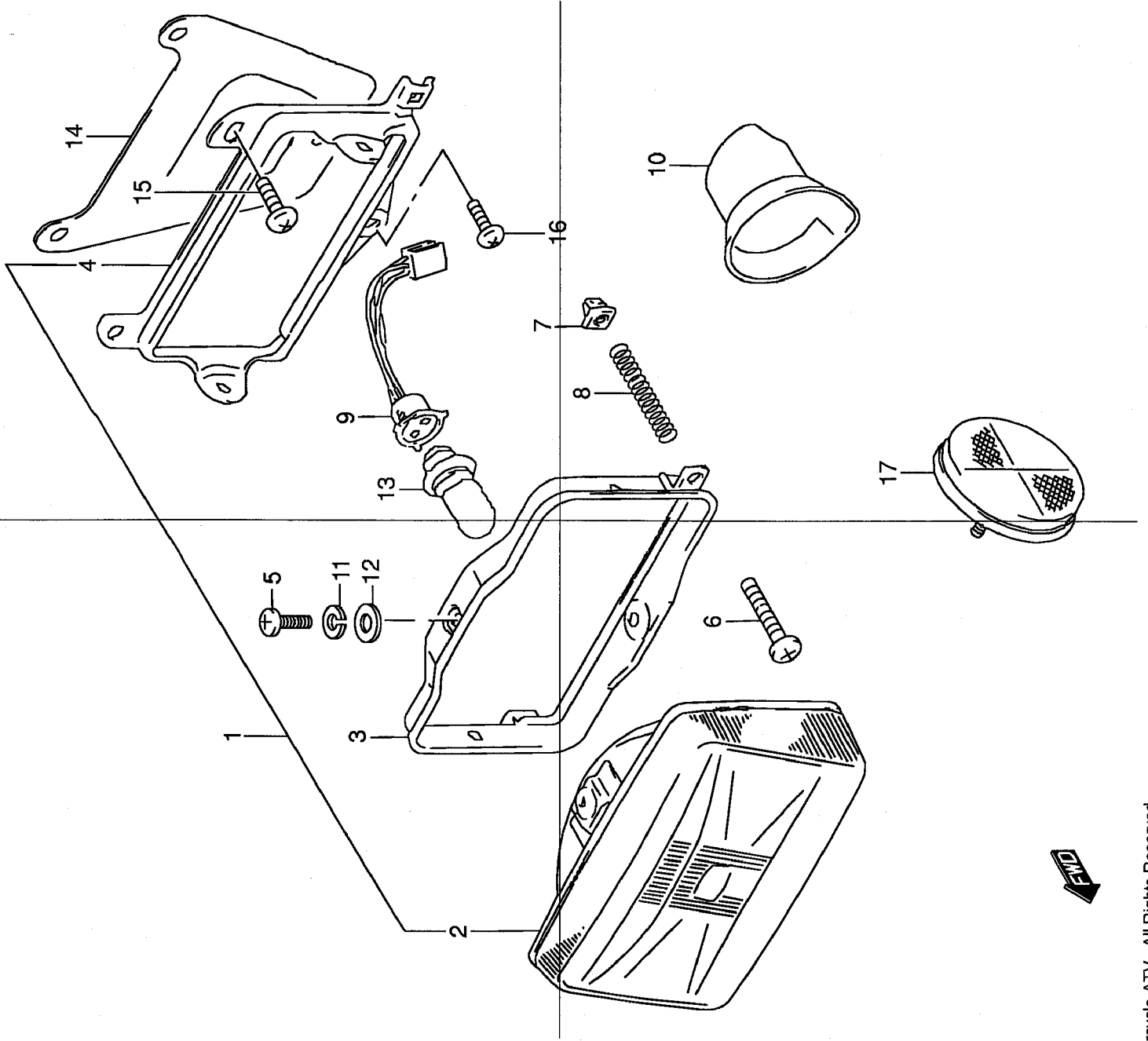


TR50SY (TR50SY E2)

FIG17A

HEADLAMP (E4,E22,E25,E26,E34,E53)

Ref No	Part No	Name	Description
1	35100-36C51-999	Headlamp Assy	Headlamp Assy
2	35121-36C50	• Unit	• Unit
3	35127-36C20	• Ring, Retaining	• Ring, Retaining
4	35130-36C20	• Ring, Mounting	• Ring, Mounting
5	35136-16700	• Screw	• Screw
6	35151-45900	• Discontinued	• Screw
7	35135-12E20	• Nut,adjusting	• Nut
8	35154-10B00	• Spring	• Spring
9	35171-36C40	• Socket	• Socket
10	35173-46790	• Cover	• Cover
11	08321-01057	• Discontinued	• Lock Washer
12	08322-01053	• Washer	• Washer
13	09471-12090	Bulb (12v, 15w)	Bulb (12v, 15w)
14	35195-36C20	Reinf, Headlamp Bracket	Reinf, Headlamp Bracket
15	02142-05163	Screw	Screw, Headlamp Upper
16	03542-06123	Screw	Screw, Headlamp Lower
17	35950-14A00	Reflector,refle	Reflex Reflector Assy, Fr Side

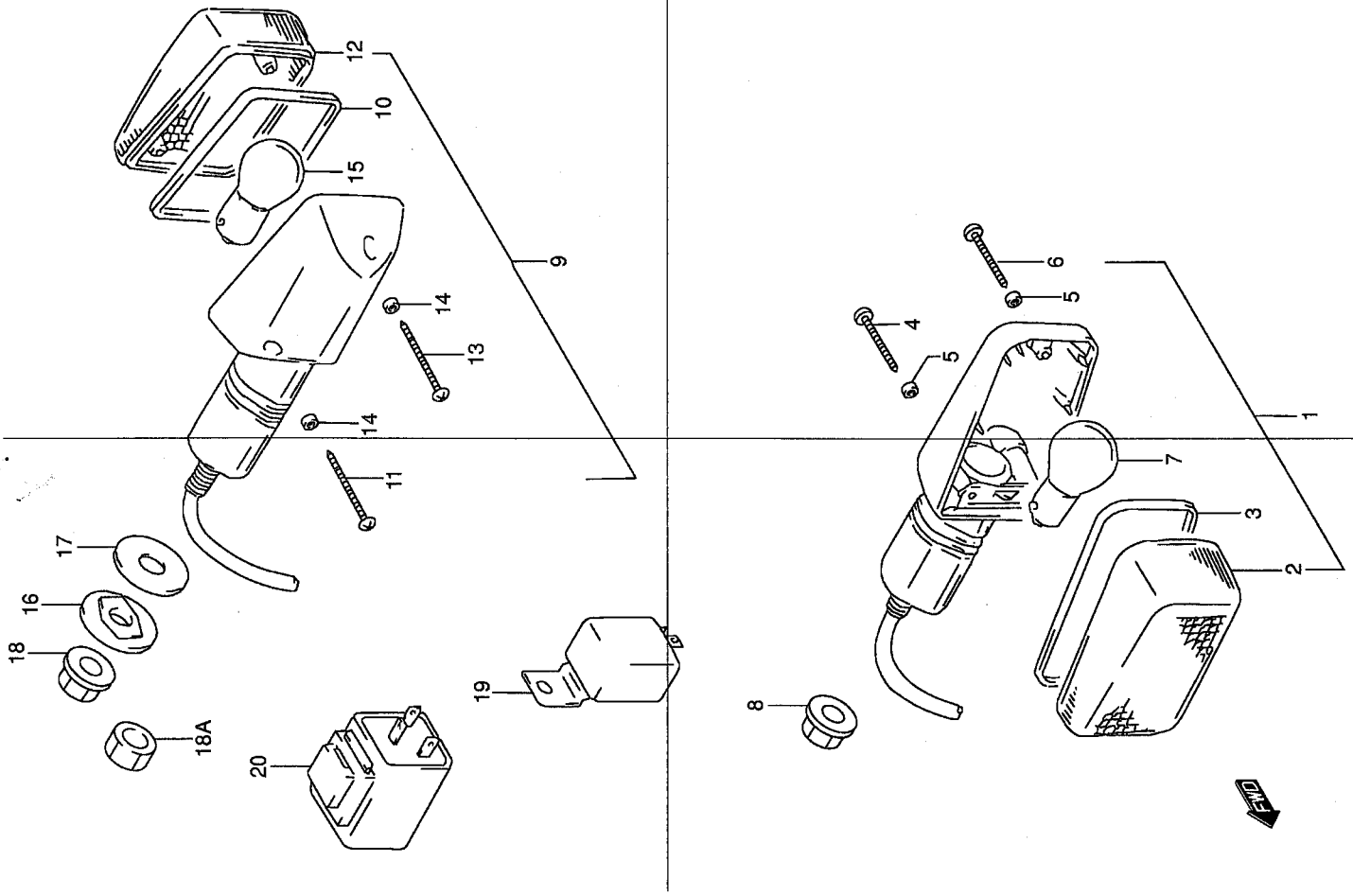


TR50SY (TR50SY E2)

FIG18

TURN SIGNAL LAMP

Ref No	Part No	Name	Description
1	35601-29E30	Lamp Assy,fr Tn	Lamp Assy, Front Turnsignal
2	35612-17C20	• Lens	• Lens
3	35613-27A00	• Gasket	• Gasket
4	35623-27A00	• Screw	• Tapping Screw
5	35627-27A02	• Gasket	• Gasket
6	35725-40511	• Screw	• Tapping Screw
7	09471-12045	• Bulb 12v,21w	• Bulb (12v,21w)
8	08316-10103	Nut	Nut
9	35603-29E10	Lamp Assy, Rear Turnsignal	Lamp Assy, Rear Turnsignal
10	35613-27A00	• Gasket	• Gasket
11	35623-27A00	• Screw	• Tapping Screw
12	35652-17C20	• Lens	• Lens
13	35725-40511	• Screw	• Tapping Screw
14	35627-27A02	• Gasket	• Gasket
15	09471-12045	• Bulb 12v,21w	• Bulb (12v,21w)
16	35695-17C00	Spacer, rear Tur	Spacer, Rear Turnsignal
17	09160-10501	Washer, 10.5x30	Washer
18	08316-10103	Nut	Nut
18a	08310-00103	Nut	Nut
19	38610-31X50	Relay Assy, turn	Relay Assy, Turnsignal
20	38610-06F00	Relay Assy, Turnsignal	Relay Assy, Turnsignal



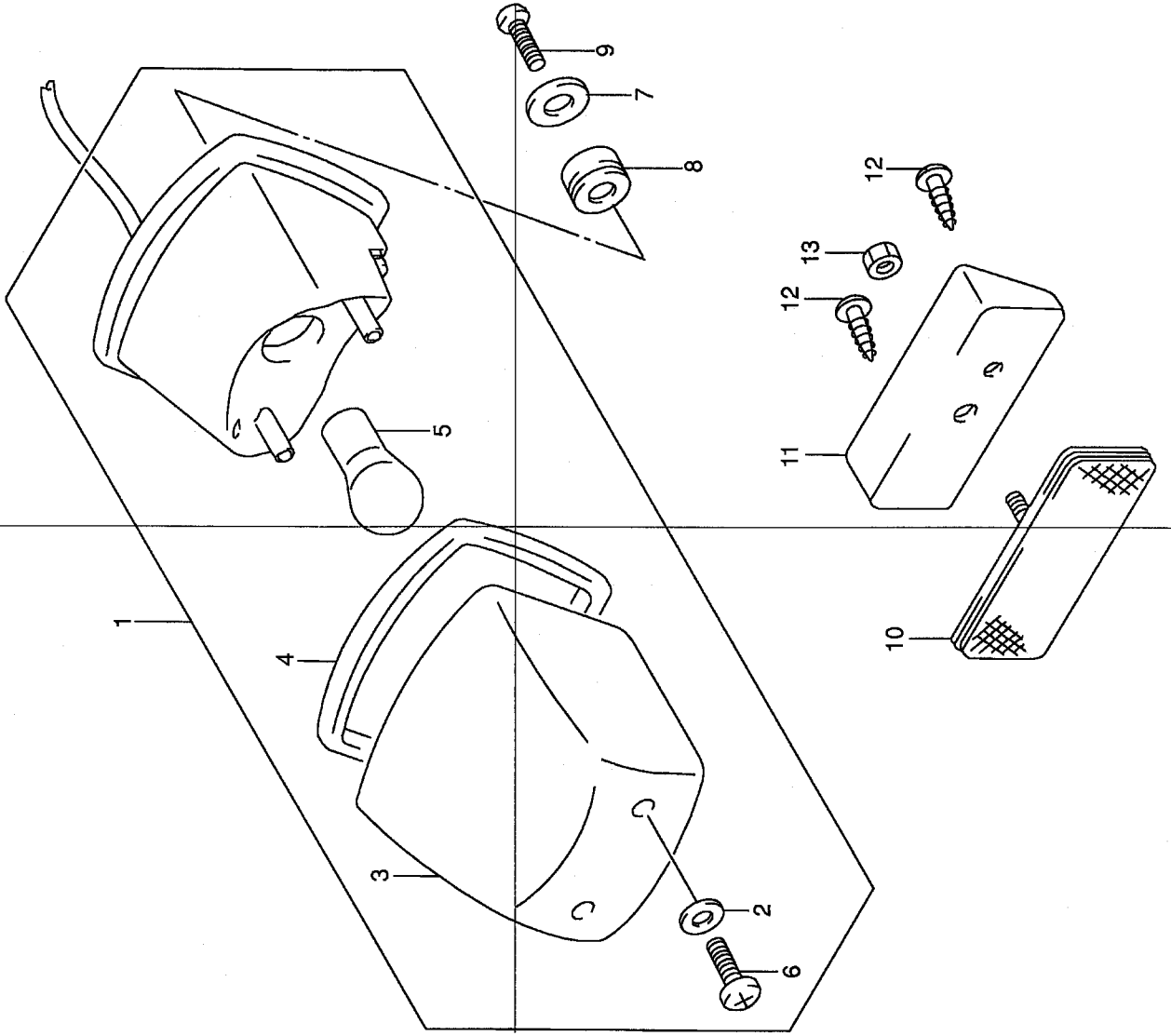
END

TR50SY (TR50SY E2)

FIG19

REAR COMBINATION LAMP

Ref No	Part No	Name	Description
1	35710-06F10	Lamp Assy, Rear	Lamp Assy, Rear
2	35627-43010	• Lens Screw Gask	• Gasket
3	35712-44E00	• Lens	• Lens
4	35713-44E00	• Gasket	• Gasket
5	09471-12128	• Bulb 12v21/5w	• Bulb (12v,21/5w)
6	03211-04207	• Screw	• Screw
7	09160-05501	Washer	Washer (5.5x20x1.2)
8	09320-10501	Cushion	Cushion
9	03512-05163	Screw	Screw
10	35970-24D60	Reflector Assy,	Reflex Reflector Assy, Rr
11	35977-06F00	Spacer, Rear Rr	Spacer, Rear Rr
12	03541-04163	Screw	Screw, Rr Spacer
13	08316-10053	Nut	Nut

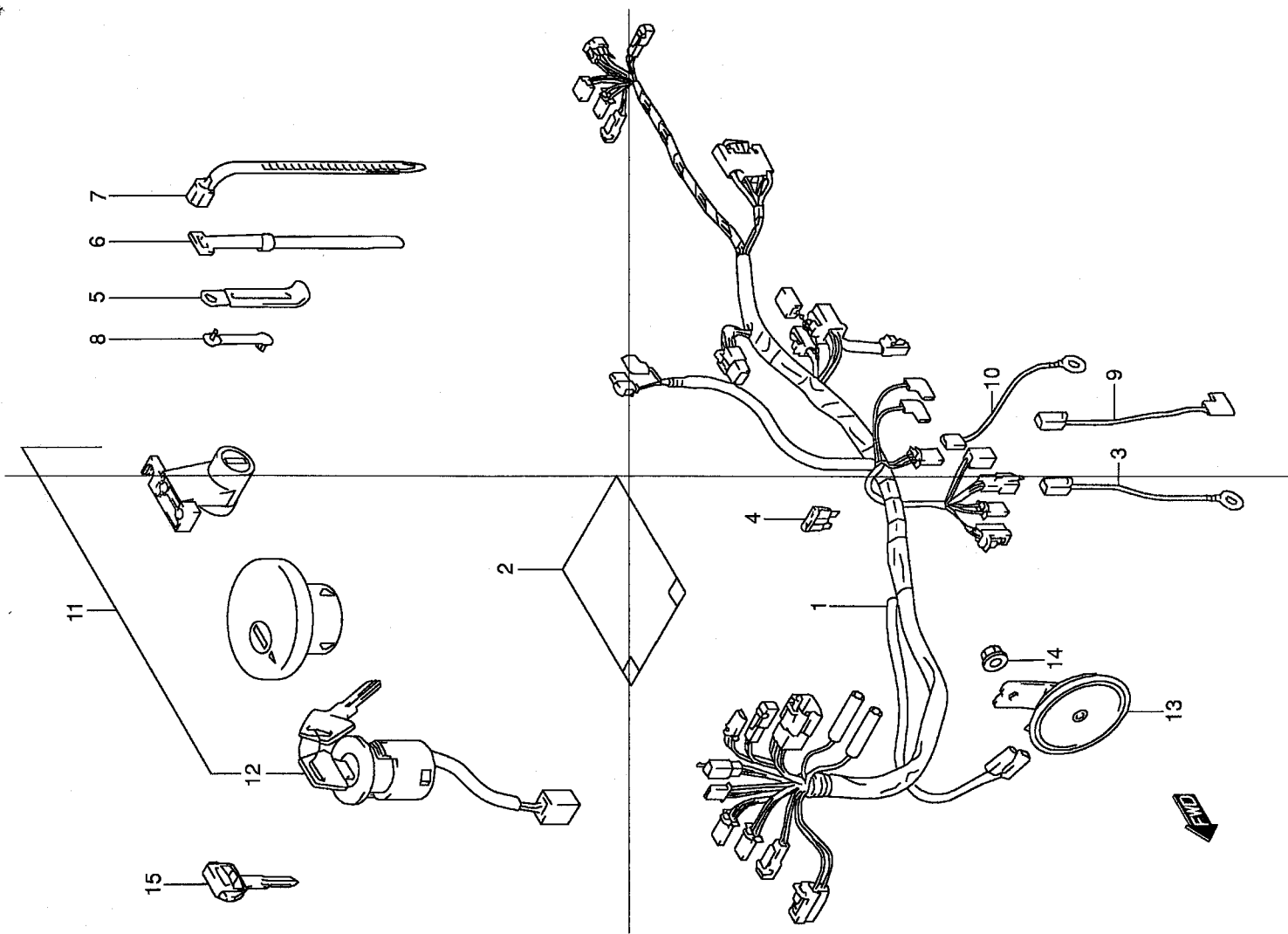


TR50SY (TR50SY E2)

FIG20

WIRING HARNESS

Ref No	Part No	Name	Description
1	36610-06F20	Harness, Wiring	Harness, Wiring
1	36610-06F21	Harness, Wiring	Harness, Wiring
2	36618-15D20	Cover, wiring Ha	Cover, Wiring Harness
2	36618-13E00	Cover, Wiring Harness	Cover, Wiring Harness
3	33860-43E00	Wire, Engine Earth	Wire, Engine Earth
4	09481-10101	Fuse 10a	Fuse (10a)
5	09404-06432	Clamp	Clamp (I:65)
5	09404-06432	Clamp	Clamp (I:65)
6	09407-12402	Mud Guard Clamp	Clamp (I:120)
7	09407-14403	Discontinued	Clamp (I:125)
8	09407-03401	Clamp	Clamp
9	36851-06F00	Wire, Carb Heater	Wire, Carb Heater
10	36851-06F10	Wire, Fuel Tank	Wire, Fuel Tank
11	37100-44840	Lock Set	Lock Set
12	37110-44A11	• Switch Assy, Ignition	• Switch Assy, Ignition
13	38502-21E02	Horn Assy	Horn Assy
14	08316-10063	Nut	Nut
15	37146-03A00	Key, blank(type	Key, Blank (type C)
15	37146-03A10	Key, blank(type	Key, Blank (type D)
15	37146-03A20	Key, blank(type	Key, Blank (type E)
15	37146-03A30	Key, blank(type	Key, Blank (type F)

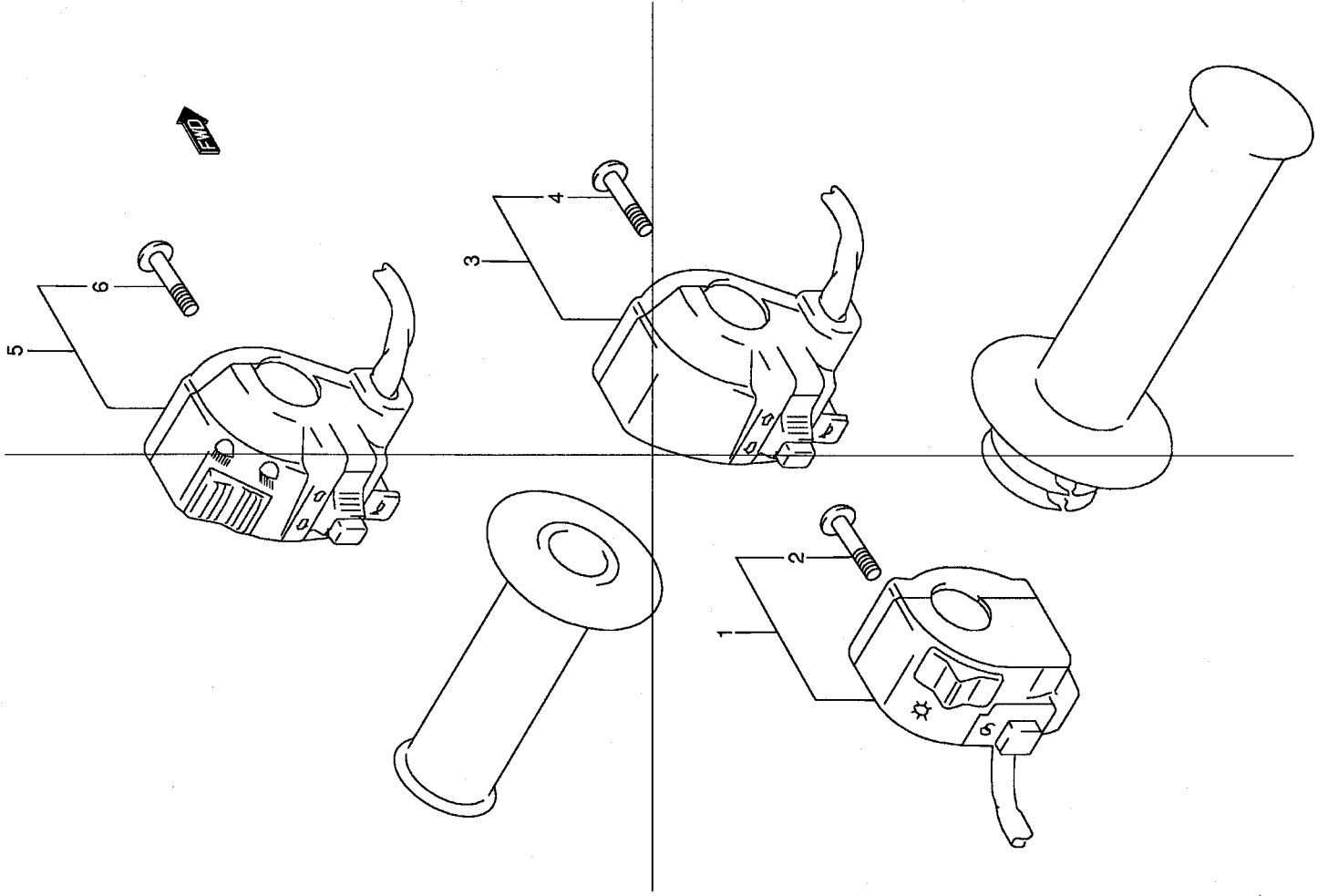


TR50SY (TR50SY E2)

FIG21

HANDLE SWITCH

Ref No	Part No	Name	Description
1	37200-06F10	Switch Assy, Handle Rh	Switch Assy, Handle Rh
2	02112-04203	• Screw 4x20	• . Screw
3	37400-13E00	Switch Assy, Handle Lh	Switch Assy, Handle Lh
4	02112-05303	• Screw	• . Screw
5	37400-06F10	Switch Assy, Handle Lh	Switch Assy, Handle Lh
6	02112-05303	• Screw	• . Screw

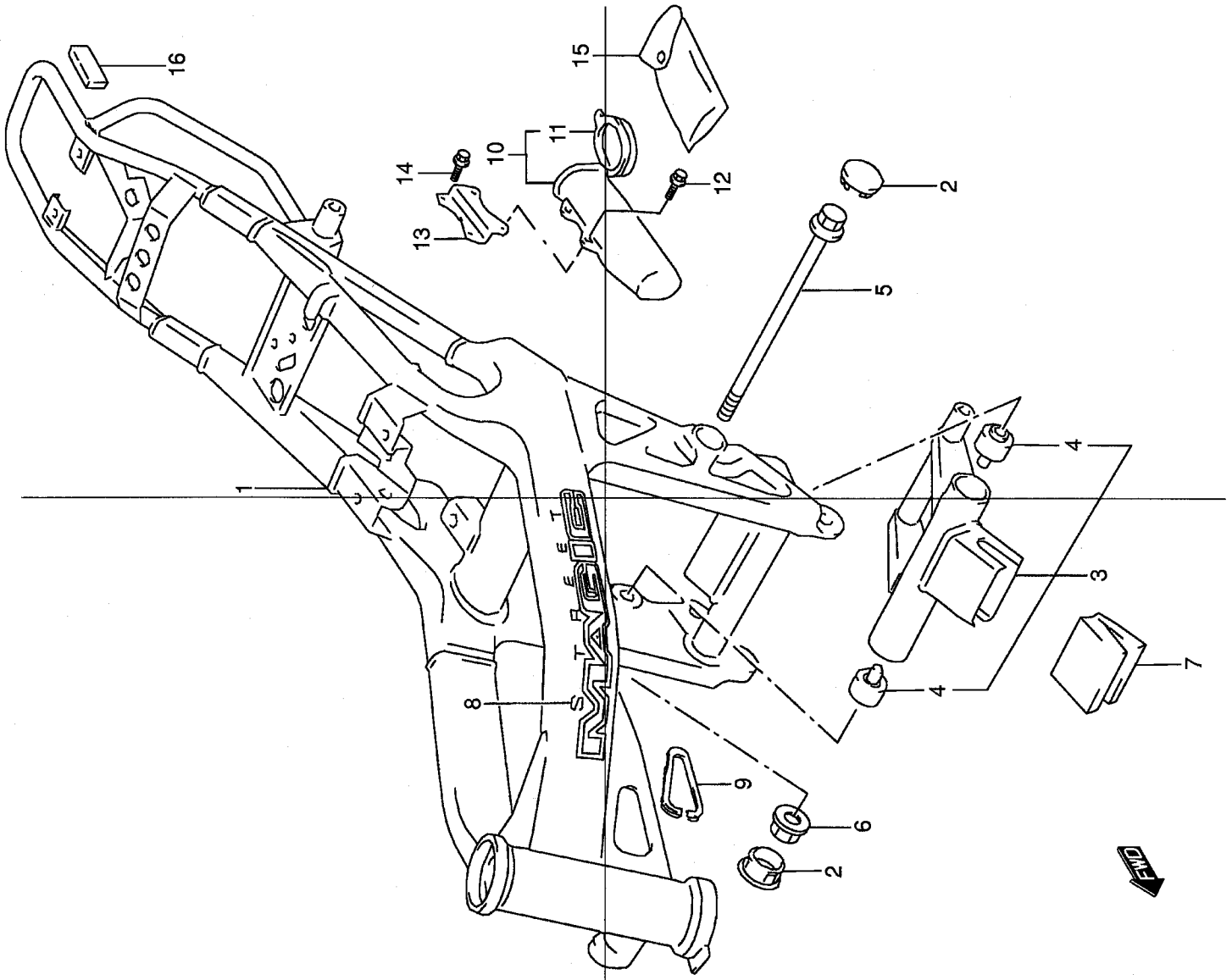


TR50SY (TR50SY E2)

FIG22

FRAME (MODEL W/X)

Ref No	Part No	Name	Description
1	41100-06F10-12R	Frame (silver)	Description Frame (silver)
2	95672-24A00	Cap, frame Handl	Cap
3	41180-06840	Bracket Set, Crankcase	Bracket Set, Crankcase
4	09319-10068	• Bush	• Bush
5	09103-10053	Bolt 10x180	Bolt (10x180)
6	08319-31107	Nut	Nut
7	41185-29C10	Cushion, Swing Stop	Cushion, Swing Stop
8	68131-06F00-H9L	Emblem, Frame	Emblem, Frame
8	68131-06F00-H9M	Emblem, Frame	Emblem, Frame
9	41891-06F00	Protector, Cable	Protector, Cable
10	41550-32E00	Holder, tool	Holder, Tool
11	41552-37210	• Cap	• Cap
12	09116-06144	Bolt, 6x16	Bolt
12	09116-06165	Bolt	Bolt
13	47440-06F00	Plate, Tool Holder	Plate, Tool Holder
14	01560-06123	Bolt	Bolt
15	09800-21031	Tool Assy	Tool Assy
16	94476-17E00	Discontinued	Cushion, Rear

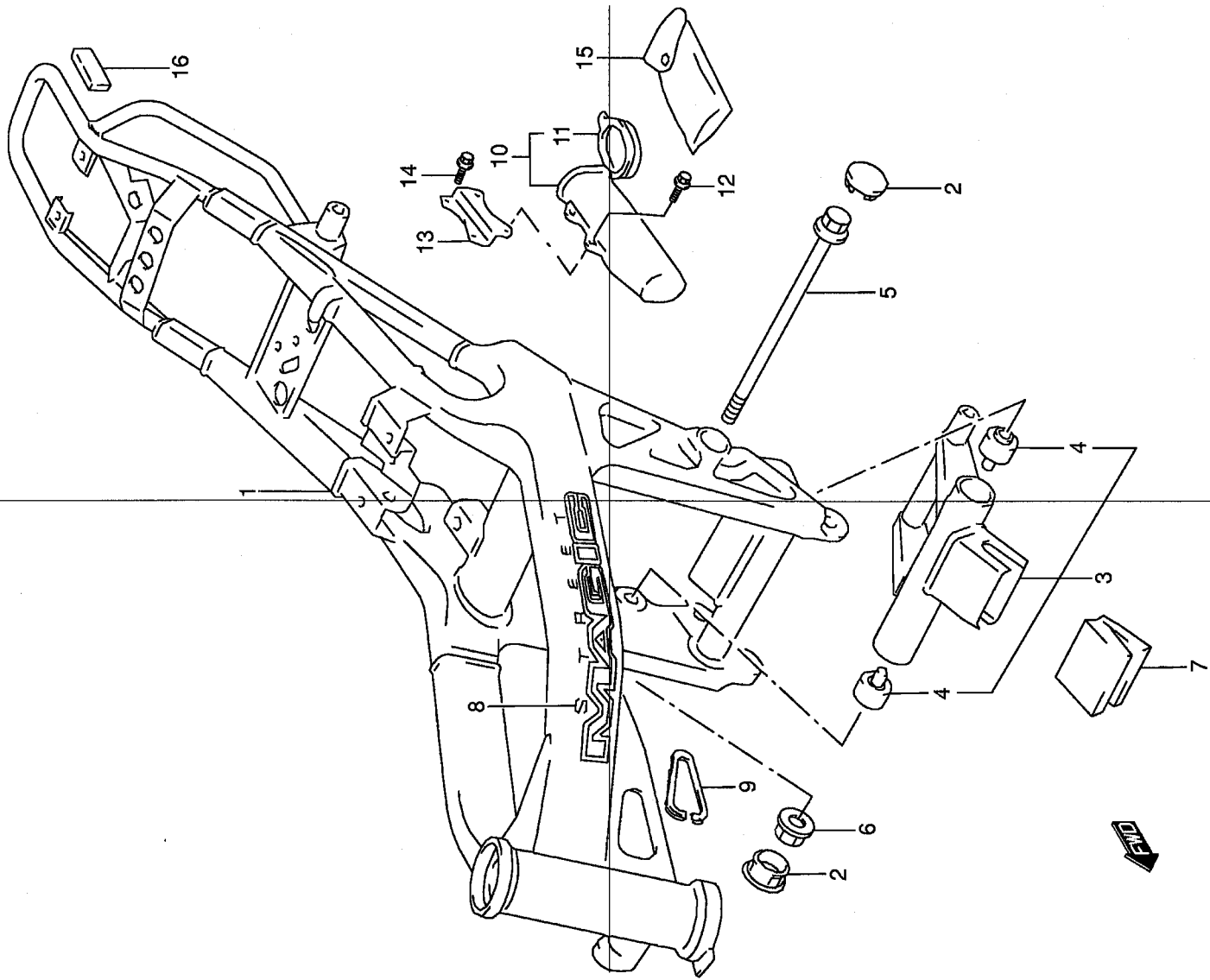


TR50SY (TR50SY E2)

FIG22A

FRAME (MODEL Y)

Ref No	Part No	Name	Description
1	41100-06F10-12R	Frame (silver)	Frame (silver)
2	95672-24A00	Cap,frame Handl	Cap
3	41180-06840	Bracket Set, Crankcase	Bracket Set, Crankcase
4	09319-10068	• Bush	• Bush
5	09103-10053	Bolt 10x180	Bolt (10x180)
6	08319-31107	Nut	Nut
7	41185-29C10	Cushion, Swing Stop	Cushion, Swing Stop
8	68131-06F00-BN7	Emblem, Frame	Emblem, Frame
9	41891-06F00	Protector, Cable	Protector, Cable
10	41550-32E00	Holder,tool	Holder, Tool
11	41552-37210	• Cap	• Cap
12	09116-06165	Bolt	Bolt
13	47440-06F00	Plate, Tool Holder	Plate, Tool Holder
14	01560-06123	Bolt	Bolt
15	09800-21031	Tool Assy	Tool Assy
16	94476-17E00	Discontinued	Cushion, Rear

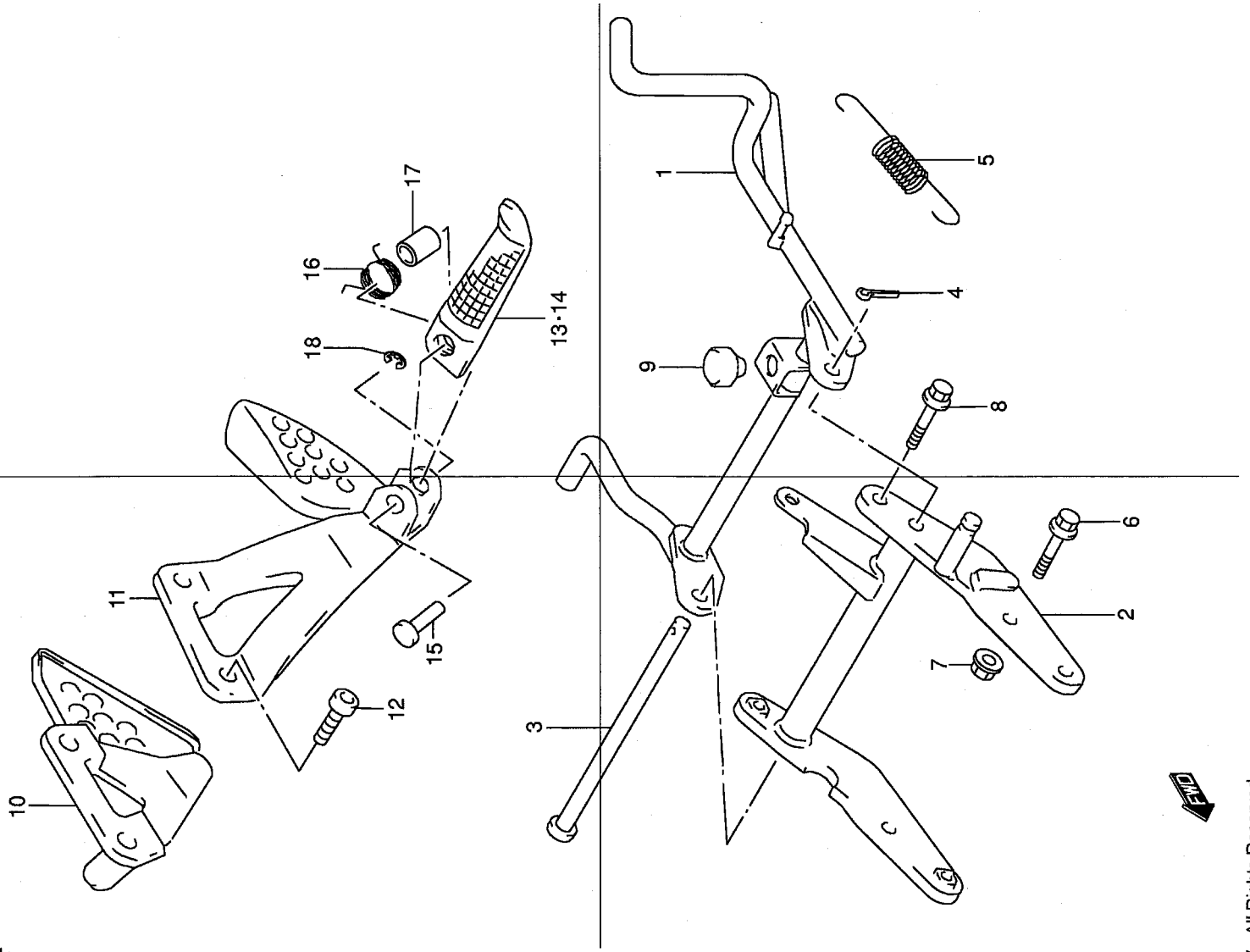


TR50SY (TR50SY E2)

FIG23

STAND

Ref No	Part No	Name	Description
1	42100-06F10	Stand, Center	Stand, Center
2	42270-06F10	Bracket, Center Stand	Bracket, Center Stand
3	42211-06F00	Shaft, Center Stand	Shaft, Center Stand
4	04111-30208	30 X 20 Cotter	Cotter Pin
5	09443-17023	Spring	Spring
6	01550-08403	Discontinued	Bolt
7	08319-31083	Nut, Transfer C	Nut
8	01550-08203	Hex Bolt 8x20	Bolt
9	09321-10002	Stopper	Cushion
10	43510-06F10	Bracket, Footrest Rh	Bracket, Footrest Rh
11	43520-06F10	Bracket, Footrest Lh	Bracket, Footrest Lh
12	09106-08118	Bolt, 8x20	Bolt
12	09106-08134	Bolt	Bolt
13	43511-32C00	Bar, Front Footrest Rh	Bar, Front Footrest Rh
14	43521-32C00	Bar, Front Footrest Lh	Bar, Front Footrest Lh
15	09208-08010	Pin	Pin
16	09448-18022	Spring	Spring
17	09180-08149	Spacer, 8.1x12x2	Spacer (8.1x12x22)
18	08332-11063	E Ring 6mm	E Ring

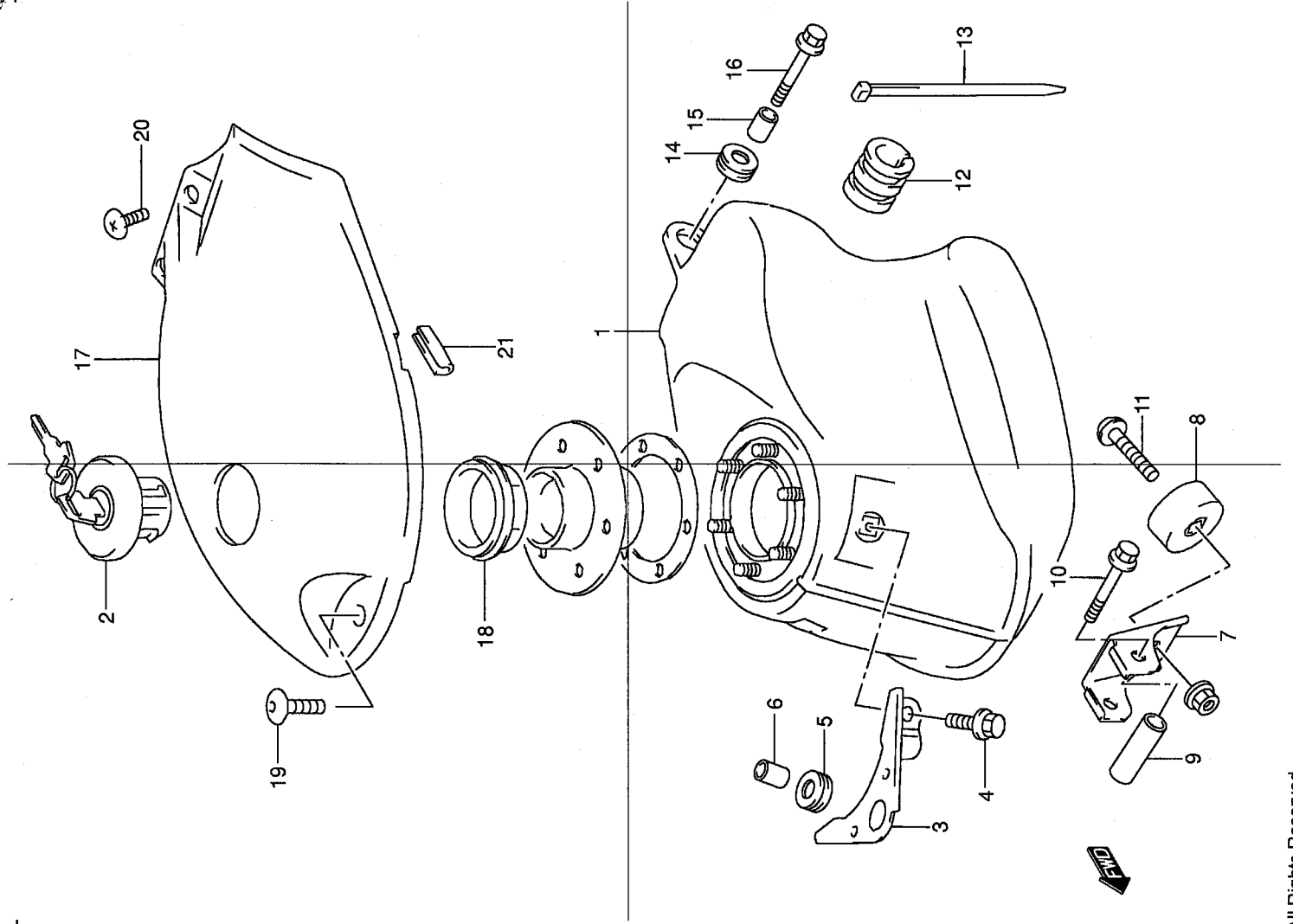


TR50SY (TR50SY E2)

FIG24

FUEL TANK

Ref No	Part No	Name	Description
1	44100-06F00	Tank Assy, Fuel	Tank Assy, Fuel
2	44200-24830	Cap Set,fuel Ta	Cap Set, Fuel Tank
3	44120-06F00	Bracket, Tank Front Upper	Bracket, Tank Front Upper
4	01550-06103	Bolt	Bolt
5	44512-04F00	Cushion,fuel Ta	Cushion, Fuel Tank Side
6	09180-06289	Spacer,6.5x9x15	Spacer
7	44130-06F00	Bracket, Tank Front Lower	Bracket, Tank Front Lower
8	45149-14D00	Cushion	Cushion
9	09180-06306	Spacer,6.5x9x5	Spacer (6.5x9x5)
10	01550-06453	Bolt	Bolt
11	02112-16203	Screw	Screw
12	44542-26C00	Cushion,fuel Ta	Cushion, Fuel Tank No.2
13	09407-14407	Clamp	Clamp (l:145)
14	14762-01B01	Cushion Muffler	Cushion
15	09180-06288	Spacer,6.5x9x13	Spacer (6.5x9x13.5)
16	09118-06109	Bolt	Bolt
17	44171-06F00-Y0P	Cover, Fuel Tank Upper (blue)	Cover, Fuel Tank Upper (blue)
17	44171-06F00-33J	Cover, Fuel Tank Upper (black)	Cover, Fuel Tank Upper (black)
17	44171-06F00-Y0R	Cover, Fuel Tank Upper (red)	Cover, Fuel Tank Upper (red)
17	44171-06F00-Y3G	Cover, Fuel Tank Upper	Cover, Fuel Tank Upper (yellow)
17	44171-06F00-Y0W	Cover, Fuel Tank Upper	Cover, Fuel Tank Upper (orange)
17	44171-06F00-Y2D	Cover, Fuel Tank Upper	Cover, Fuel Tank Upper (silver)
17	44171-06F00-Y9F	Cover, Fuel Tank Upper	Cover, Fuel Tank Upper (yellow)
18	44261-06F00	Rubber, Fuel Tank Inlet	Rubber, Fuel Tank Inlet
19	09139-06029	Screw	Screw, Front
20	09139-06083	Screw	Screw, Rear
21	51861-21D00	Molding, Brace	Molding, Brace

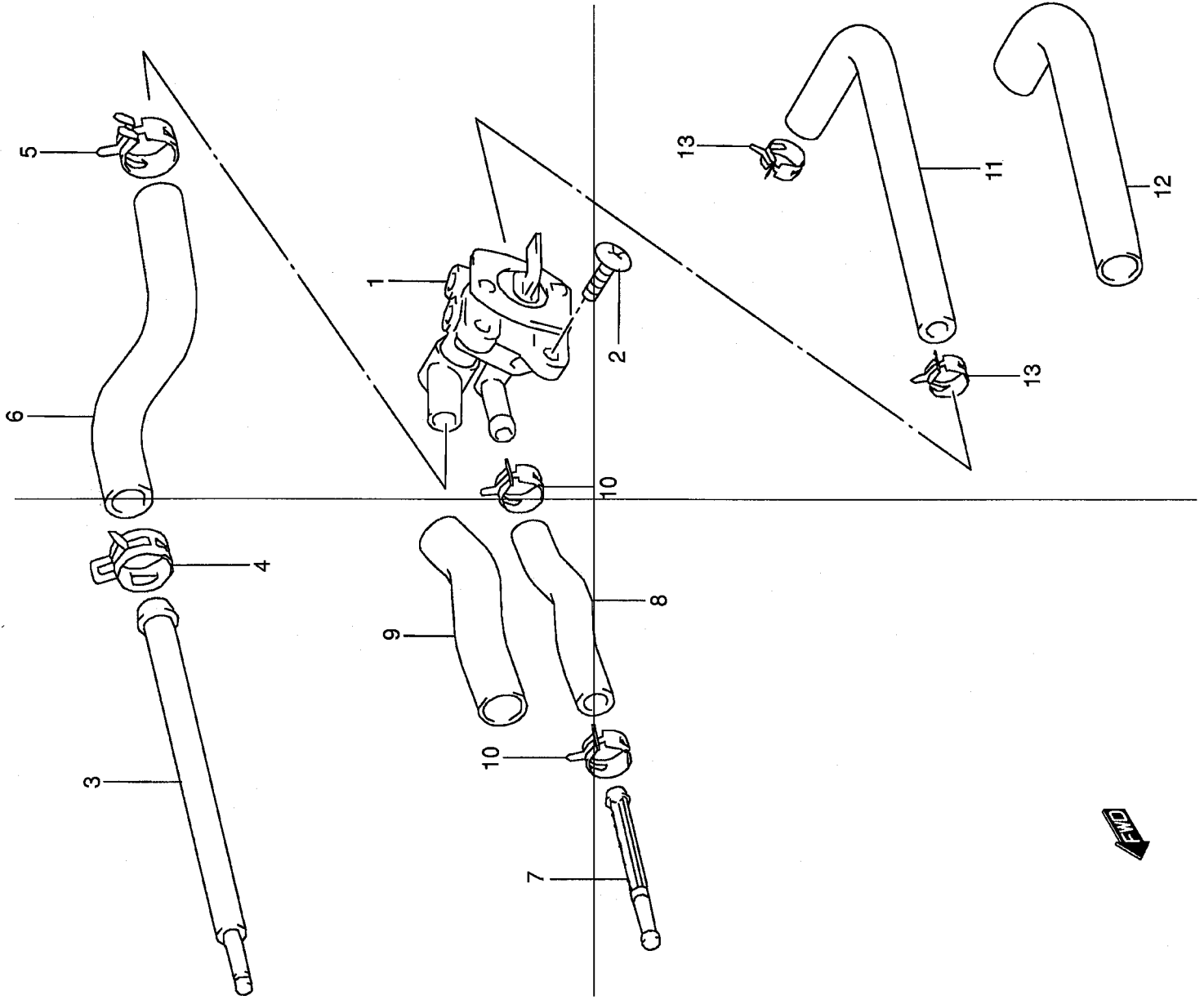


TR50SY (TR50SY E2)

FIG25

FUEL COCK

Ref No	Part No	Name	Description
1	44300-06F00	Cock Assy, Fuel	Cock Assy, Fuel
2	02142-06123	Screw M6x1x12	Screw
3	44320-06F00	Filter, On	Filter, On
4	09401-13417	Clip	Clip
5	09401-15404	Clip	Clip
6	44421-06F00	Hose, Fuel On	Hose, Fuel On
7	44322-17200	Filter, Fuel	Filter, Fuel
8	44422-06F00	Hose, Fuel Res	Hose, Fuel Res
9	09351-14152-600	Protector, 14.5x	Protector (1:600->0)
10	09401-11407	Clip	Clip
11	44431-06F00	Hose, Fuel Main	Hose, Fuel Main
12	44432-06F00	Protector	Protector
13	09401-09403	Clip	Clip

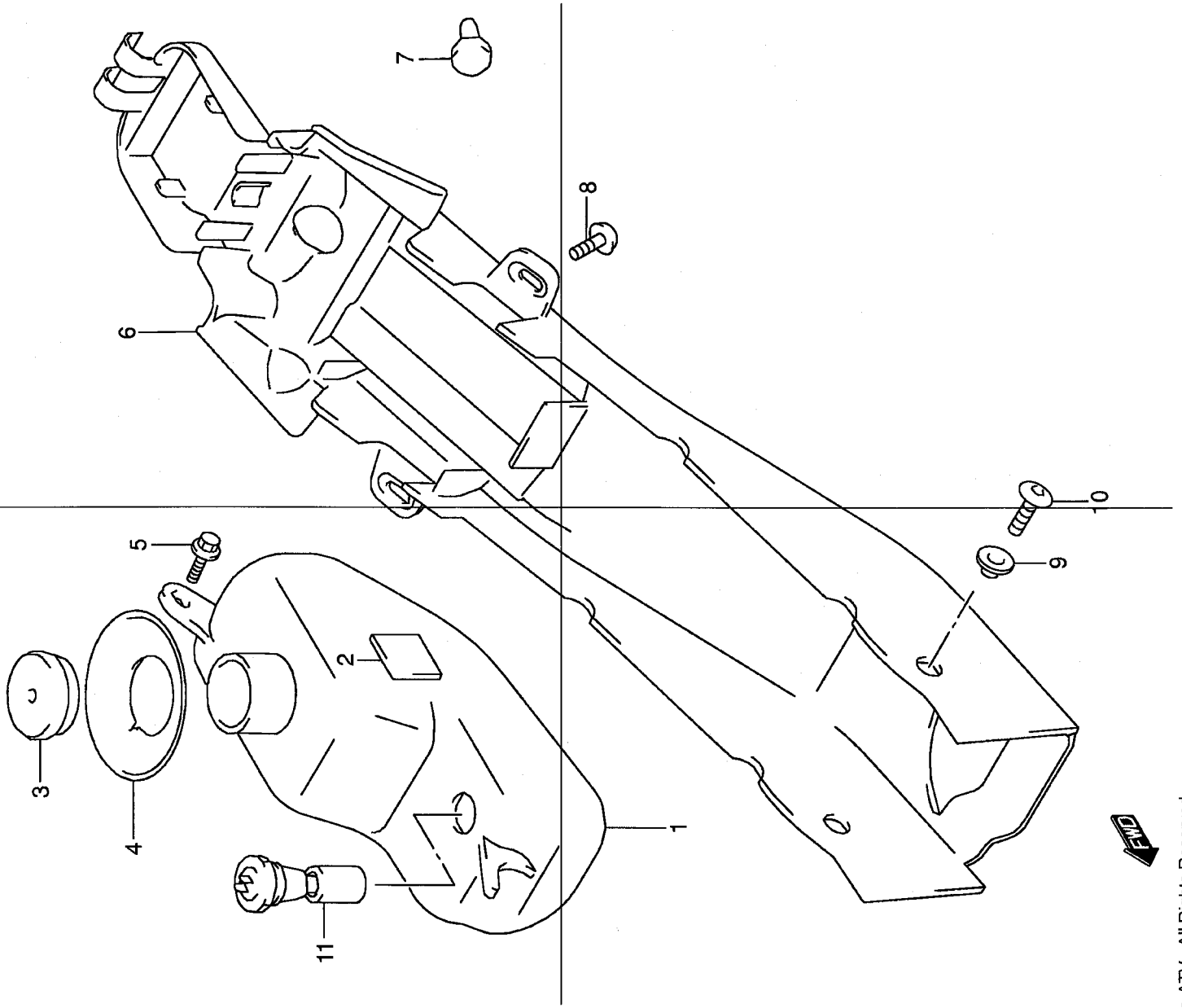


TR50SY (TR50SY E2)

FIG26

OIL TANK

Ref No	Part No	Name	Description
1	44611-06F00	Tank, Oil	Tank, Oil
1	44611-06F01	Tank, Oil	Tank, Oil
2	44281-29C00	Cushion	Cushion
3	44651-39C01	Cap, Oil Tank	Cap, Oil Tank
4	44667-06F00	Rubber, Oil Tank Inlet	Rubber, Oil Tank Inlet
5	09116-06006	Bolt, 6x16 W/pl	Bolt (6x16)
6	44681-06F00	Cover, Oil Tank	Cover, Oil Tank
7	09321-06026	Cushion	Cushion
8	09116-06144	Bolt, 6x16	Bolt (6x16)
8	09116-06165	Bolt	Bolt (6x16)
9	09169-06060	Washer	Washer (id:6.3)
10	02142-06163	Screw 6x16	Screw
11	37880-42E00	Switch Assy, Oil	Switch Assy, Oil

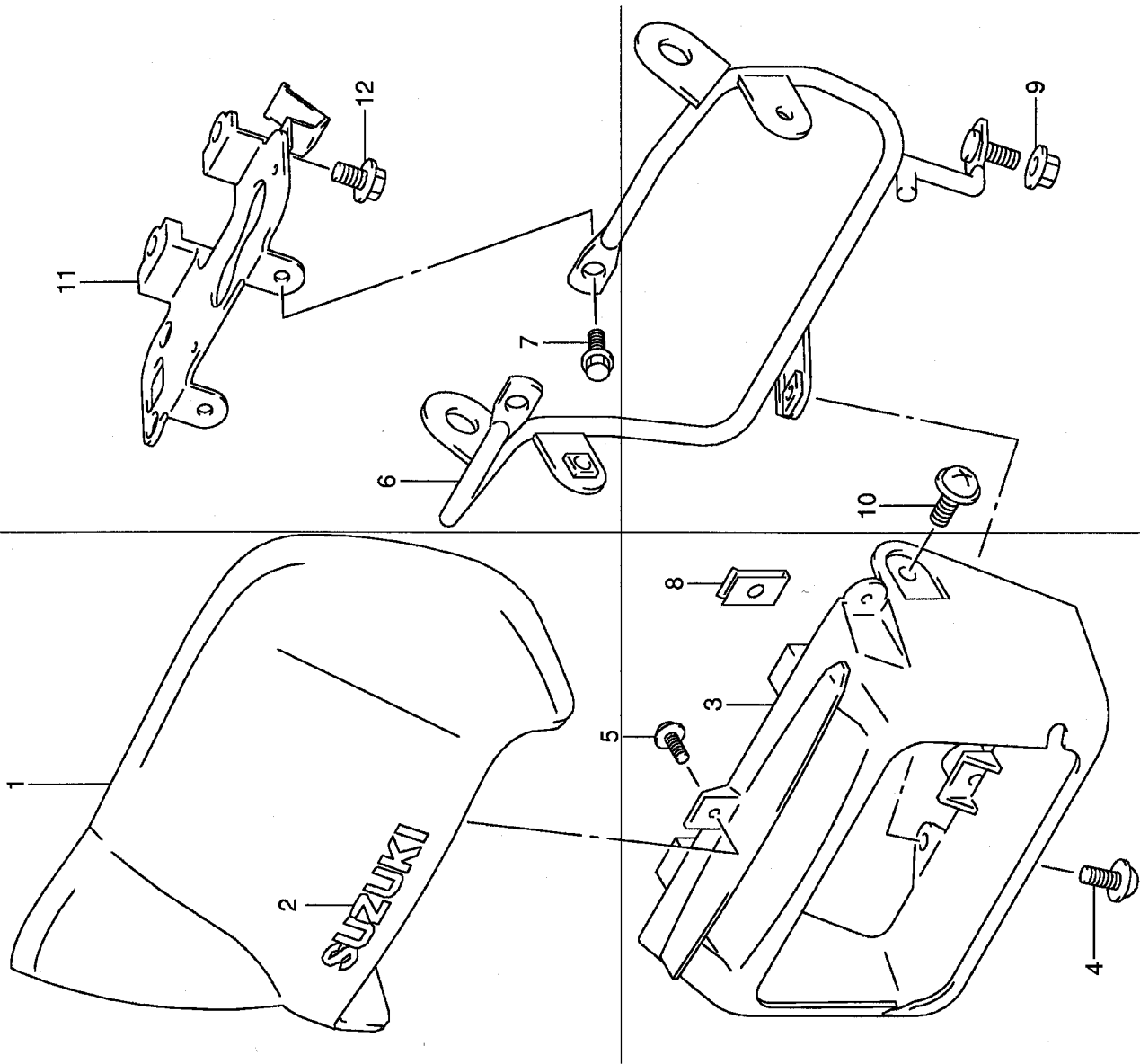


TR50SY (TR50SY E2)

FIG27

HEADLAMP COVER

Ref No	Part No	Name	Description
1	51811-06F20-Y0P	Cover, Headlamp Upper (blue)	Cover, Headlamp Upper (blue)
1	51811-06F20-33J	Cover, Headlamp Upper (black)	Cover, Headlamp Upper (black)
1	51811-06F20-Y0R	Cover, Headlamp Upper (red)	Cover, Headlamp Upper (red)
1	51811-06F20-Y3G	Cover, Headlamp Upper (yellow)	Cover, Headlamp Upper (yellow)
1	51811-06F20-Y0W	Cover, Headlamp Upper (orange)	Cover, Headlamp Upper (orange)
1	51811-06F20-Y2D	Cover, Headlamp Upper (silver)	Cover, Headlamp Upper (silver)
1	51811-06F20-Y9F	Cover, Headlamp Upper (yellow)	Cover, Headlamp Upper (yellow)
2	68166-01D00-0JW	Emblem,frame Co	Emblem (white)
2	68166-01D00-20G	Emblem (gray)	Emblem (gray)
3	51812-06F10-Y0J	Cover, Headlamp Lower (gray)	Cover, Headlamp Lower (gray)
4	02142-05103	Screw 5x10	Screw, Lower
5	03541-04123	Screw 4 X 12	Screw
6	51850-06F10	Brace, Headlamp Cover	Brace, Headlamp Cover
7	01550-06123	Bolt	Bolt
8	56330-36C00	Nut, Upper	Nut, Upper
9	08319-31063	Nut,license Pla	Nut, Lower
10	09136-06061	Screw, 6x16	Screw, Side
11	51980-06F10	Bracket, Meter	Bracket, Meter
11	51980-06F11	Bracket, Meter	Bracket, Meter
12	01550-08123	Bolt	Bolt

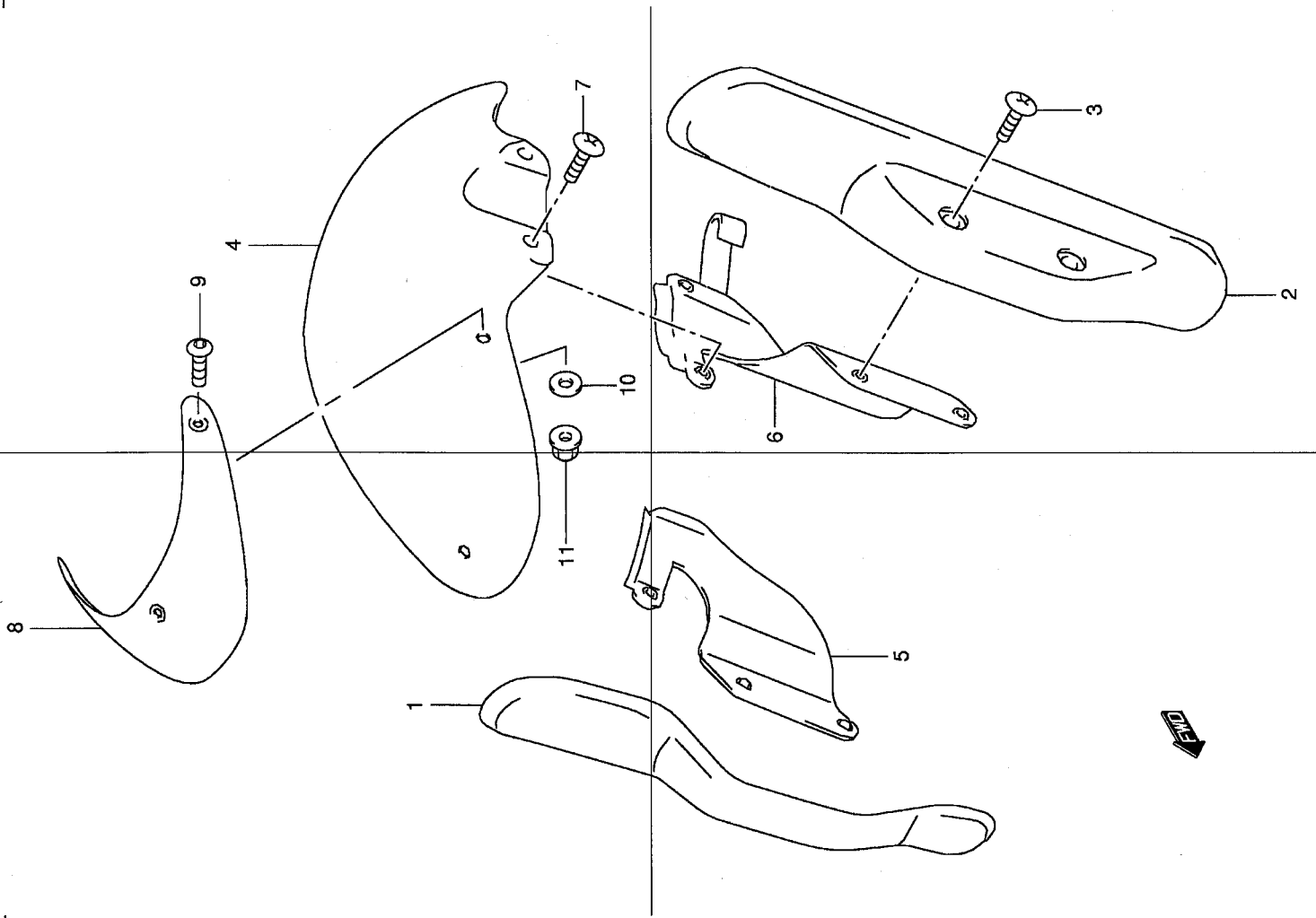


TR50SY (TR50SY E2)

FIG28

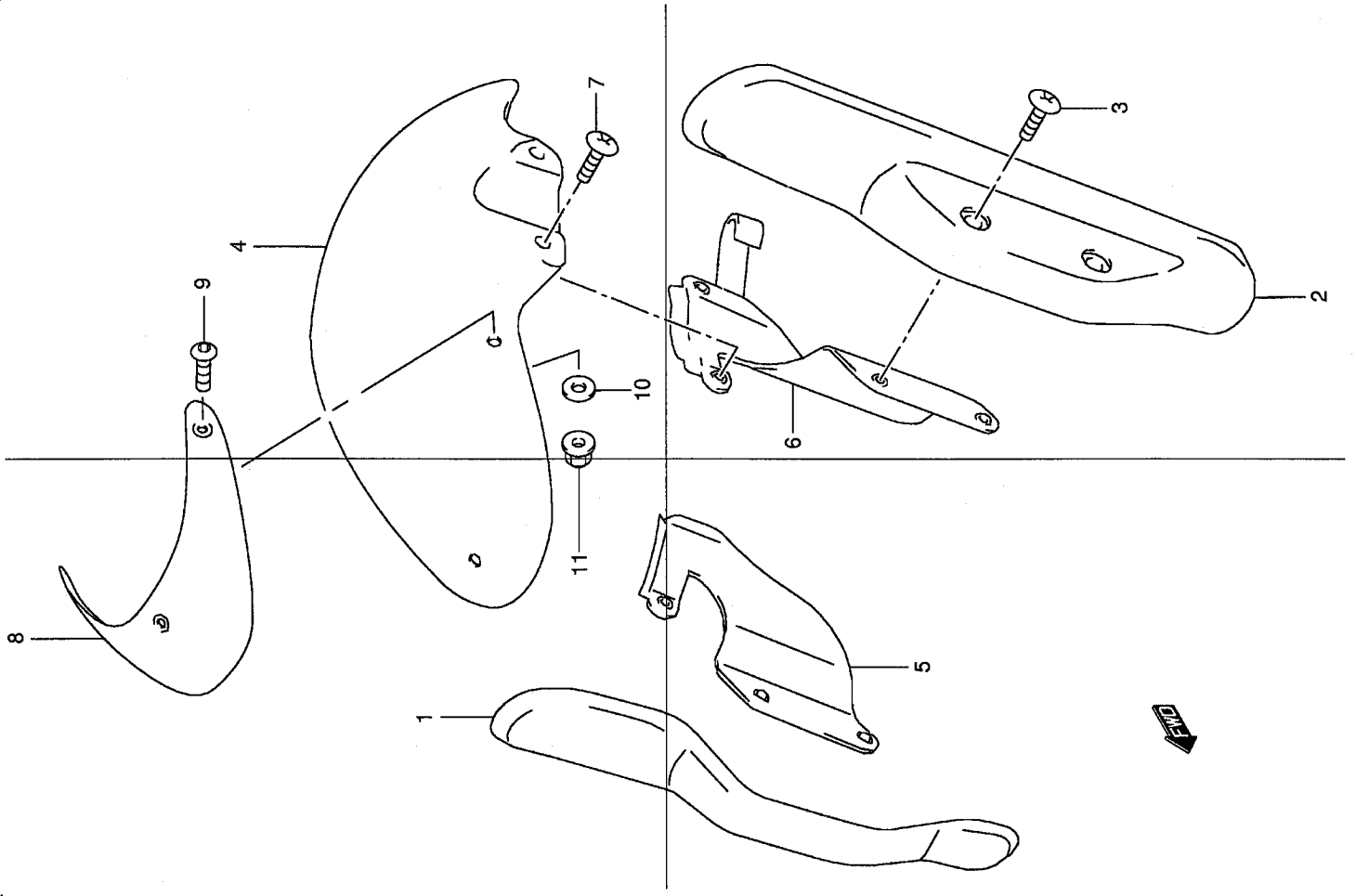
FRONT FENDER (MODEL W/X)

Ref No	Part No	Name	Description
1	51881-06F00-Y0J	Cover, Fork Side Rh (gray)	Cover, Fork Side Rh (gray)
2	51882-06F00-Y0J	Cover, Fork Side Lh (gray)	Cover, Fork Side Lh (gray)
3	09139-05025	Screw 5x14	Screw (5x14)
4	53111-06F10-Y0P	Fender, Front (blue)	Fender, Front (blue)
4	53111-06F10-33J	Fender, Front (black)	Fender, Front (black)
4	53111-06F10-Y0R	Fender, Front (red)	Fender, Front (red)
4	53111-06F10-Y3G	Fender, Front (yellow)	Fender, Front (yellow)
4	53111-06F10-Y0W	Fender, Front (orange)	Fender, Front (orange)
4	53111-06F10-Y2D	Fender, Front (silver)	Fender, Front (silver)
4	53111-06F20-Y0P	Fender, Front (blue)	Fender, Front (blue)
4	53111-06F20-33J	Fender, Front (black)	Fender, Front (black)
4	53111-06F20-Y0W	Fender, Front (orange)	Fender, Front (orange)
4	53111-06F20-Y2D	Fender, Front (silver)	Fender, Front (silver)
5	53120-06F00	Bracket, Front Fender Rh	Bracket, Front Fender Rh
6	53130-06F00	Bracket, Front Fender Lh	Bracket, Front Fender Lh
7	09139-05025	Screw 5x14	Screw (5x14)
8	53311-06F00	Extension, Front Fender	Extension, Front Fender
9	09139-05025	Screw 5x14	Screw (5x14)
10	09160-05037	Washer 5.5x16x1	Washer
11	09159-05026	Nut	Nut



TR50SY (TR50SY E2)**FIG28A****FRONT FENDER (MODEL Y)**

Ref No	Part No	Name	Description
1	51881-06F00-Y0J	Cover, Fork Side Rh (gray)	Cover, Fork Side Rh (gray)
2	51882-06F00-Y0J	Cover, Fork Side Lh (gray)	Cover, Fork Side Lh (gray)
3	09139-05025	Screw 5x14	Screw (5x14)
4	53111-06F50-33J	Fender, Front (black)	Fender, Front (black)
4	53111-06F50-Y2D	Fender, Front (silver)	Fender, Front (silver)
4	53111-06F50-Y9F	Fender, Front (yellow)	Fender, Front (yellow)
4	53111-06F60-33J	Fender, Front (black)	Fender, Front (black)
4	53111-06F60-Y2D	Fender, Front (silver)	Fender, Front (silver)
4	53111-06F60-Y9F	Fender, Front (yellow)	Fender, Front (yellow)
5	53120-06F00	Bracket, Front Fender Rh	Bracket, Front Fender Rh
6	53130-06F00	Bracket, Front Fender Lh	Bracket, Front Fender Lh
7	09139-05025	Screw 5x14	Screw (5x14)
8	53311-06F01	Extension, Front Fender	Extension, Front Fender
9	09139-05025	Screw 5x14	Screw (5x14)
10	09160-05037	Washer 5.5x16x1	Washer
11	09159-05026	Nut	Nut



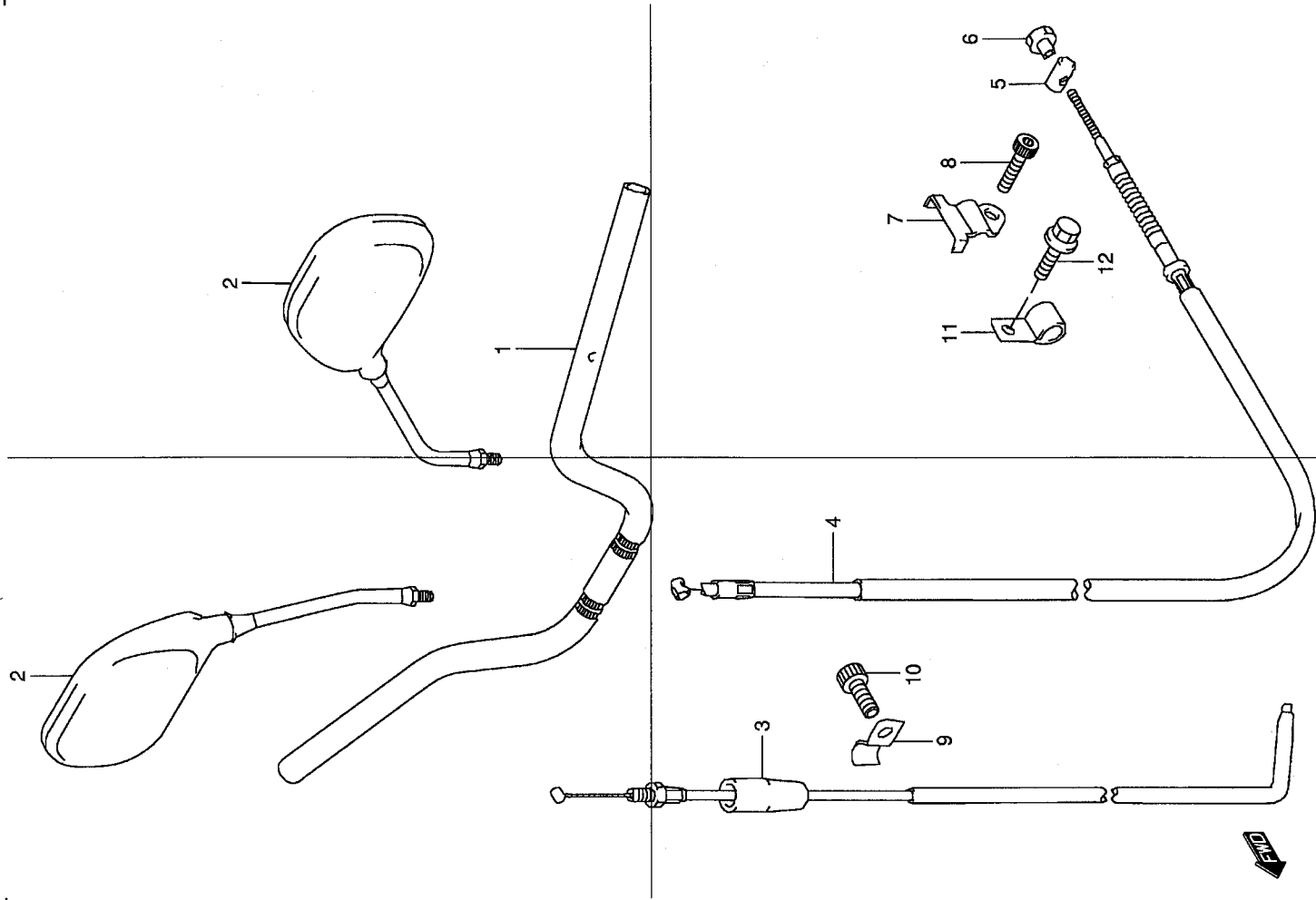
END

TR50SY (TR50SY E2)

FIG29

HANDLEBAR

Ref No	Part No	Name	Description
1	56110-06F20-291	Handlebar (black)	Handlebar (black)
1	56110-06F50-291	Handlebar (black)	Handlebar (black)
2	56500-09020	Mirror Assy,rh	Mirror Assy, Rear View
3	58300-06F01	Cable Assy, Throttle	Cable Assy, Throttle
3	58300-06F20	Cable Assy, Throttle	Cable Assy, Throttle
4	58510-06F00	Cable, Rear Brake	Cable, Rear Brake
5	09209-10001	Brake Rod Lever	Pin
6	09150-05101	Brake Rod Adj N	Nut
7	58575-06F00	Plate, Rear Brake Cable	Plate, Rear Brake Cable
8	07130-06123	Bolt	Bolt
9	09403-09306	Clamp	Clamp
10	07130-06123	Bolt	Bolt
11	09403-14204	Clamp	Clamp
12	01550-06123	Bolt	Bolt

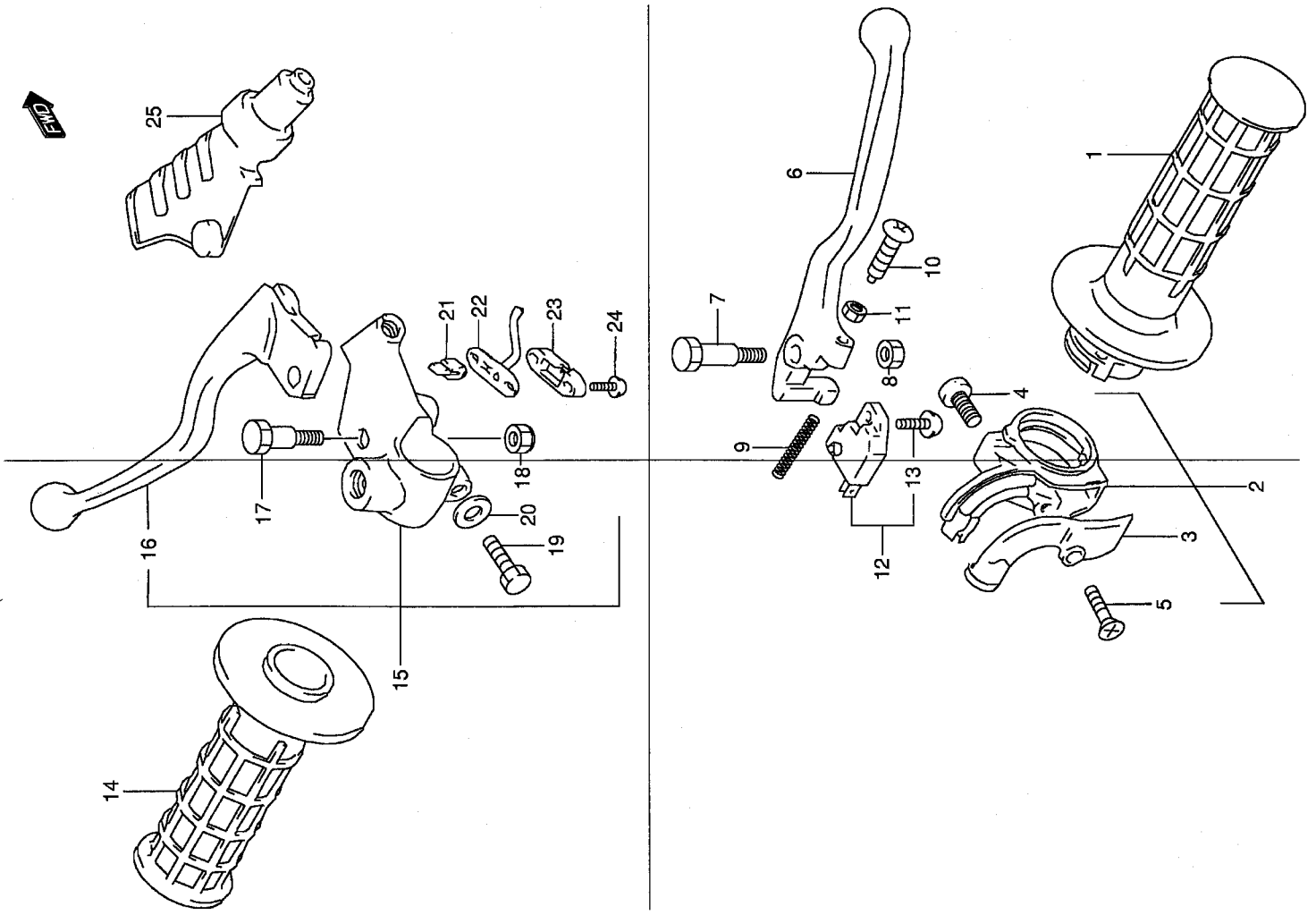


TR50SY (TR50SY E2)

FIG30

HANDLE LEVER

Ref No	Part No	Name	Description
1	57110-14D00	Grip,throttle	Description
2	57100-28B00	Case Assy,throt	Grip, Throttle
3	57129-13601	• Cover	Case Assy, Throttle
4	02112-05164	• Screw 5x16	• . Screw
5	02122-04103	• Screw	• . Screw
6	57421-03D00	Lever,brake	Lever, Brake
7	57431-14500	Bolt Brake Leve	Bolt, Brake Lever
8	08319-21068	U Nut	Nut
9	57318-14502	Spring,return	Spring, Return
10	57431-14511	Bolt,adjust	Bolt, Adjust
11	08310-00053	Discontinued	Nut
12	57460-17C00	Switch Assy,sto	Switch Assy, Stop
13	57465-17C00	• Screw	• . Screw
14	57211-27C00	Grip,l	Grip, Lh
15	57500-06F00	Lever Assy, Rear Brake	Lever Assy, Rear Brake
16	57620-15D11	• Lever,clutch	• . Lever, Clutch
17	57431-11013	• Bolt,lever Pivo	• . Bolt
18	08319-21068	• U Nut	• . Nut
19	01500-06207	• Bolt	• . Bolt
20	08322-01067	• Washer	• . Washer
21	57465-18601	• Contact Holder	• . Holder, Contact
22	57560-06F00	• Wire, Harness	• . Wire, Harness
23	57481-33010	• Thrminal Base C	• . Cover, Terminal Base
24	57484-49110	• Screw	• . Screw
25	57661-45C00	Cover,clutch Le	Cover, Clutch Lever



TR50SY (TR50SY E2)

FIG31

REAR FENDER (MODEL W/X)

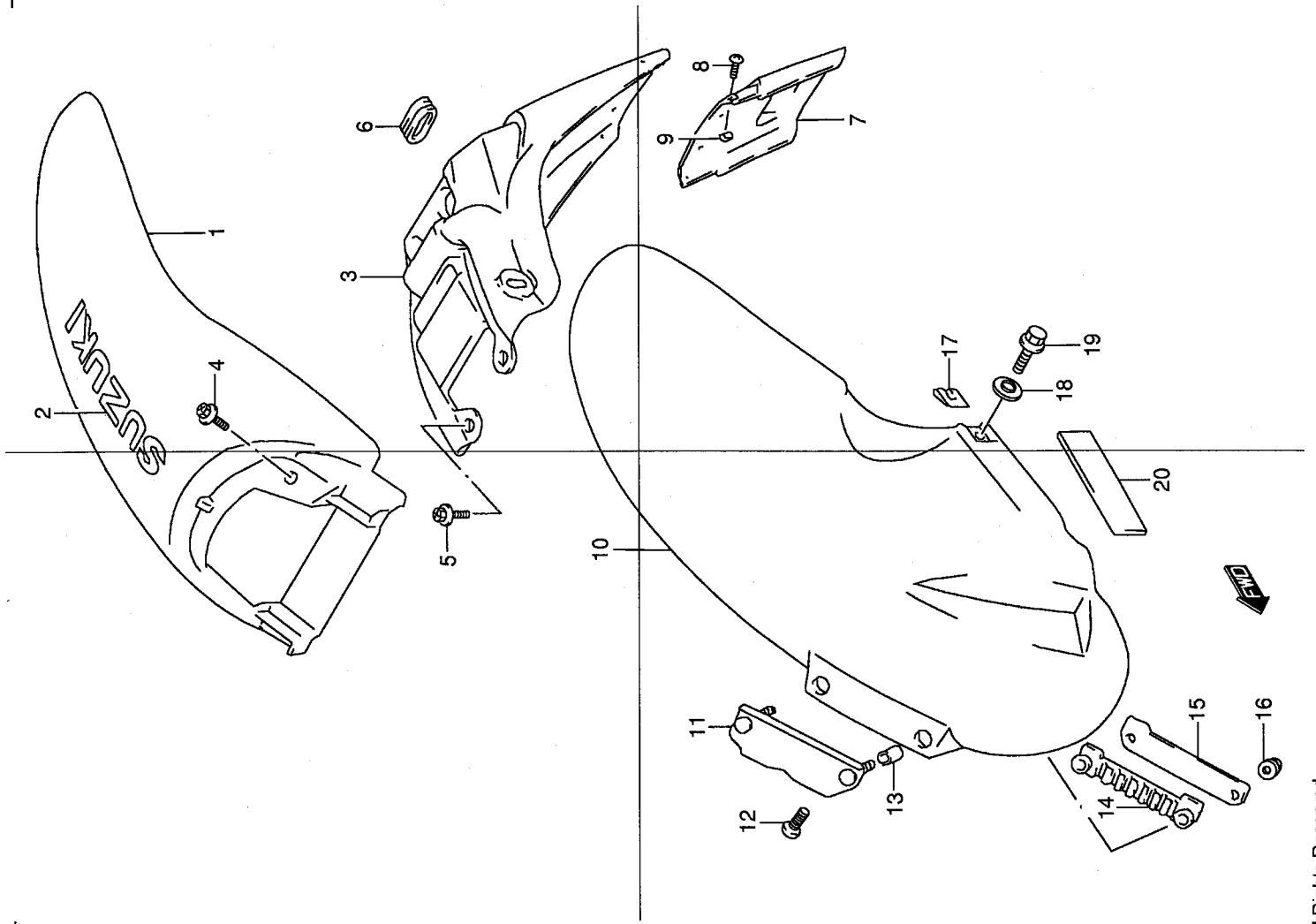
Ref No	Part No	Name	Description
1	63113-06F10-Y0P	Fender, Rear Upper (blue)	Fender, Rear Upper (blue)
1	63113-06F10-33J	Fender, Rear Upper (black)	Fender, Rear Upper (black)
1	63113-06F10-Y0R	Fender, Rear Upper (red)	Fender, Rear Upper (red)
1	63113-06F10-Y3G	Fender, Rear Upper (yellow)	Fender, Rear Upper (yellow)
1	63113-06F10-Y0W	Fender, Rear Upper (orange)	Fender, Rear Upper (orange)
1	63113-06F10-Y2D	Fender, Rear Upper (silver)	Fender, Rear Upper (silver)
2	68111-43400-13L	Emblem	Emblem, Rear Fender (silver)
2	68111-43400-20G	Emblem, Rear Fender (gray)	Emblem, Rear Fender (gray)
3	63311-06F30	Extension, Rear Fender	Extension, Rear Fender
3	63311-06F40	Extension, Rear Fender	Extension, Rear Fender
3	63311-06F10	Extension, Rear Fender	Extension, Rear Fender
3	63311-06F20	Extension, Rear Fender	Extension, Rear Fender
4	63161-43E00	Bolt, rr Fender	Bolt, Rear Fender
5	09111-06066	Bolt	Bolt
6	09320-04008	Cushion	Cushion
7	63331-06F00	Mud Guard, Extension	Mud Guard, Extension
8	03541-04123	Screw 4 X 12	Screw
9	09148-04034	Discontinued	Nut
10	63112-06F01-Y0J	Fender, Rear Lower (gray)	Fender, Rear Lower (gray)
11	63120-06F01	Bracket, Rear Fender Lower	Bracket, Rear Fender Lower
12	09106-06069	Discontinued	Bolt
12	09106-06078	Bolt	Bolt
13	09180-06264	Spacer, 6.5x9x10	Spacer

TR50SY (TR50SY E2)

FIG31

REAR FENDER (MODEL W/X)

Ref No	Part No	Name	Description
14	63412-06F00	Cushion, Lower	Cushion, Lower
15	63115-06F00	Plate, Lower	Plate, Lower
16	08316-10063	Nut	Nut
17	09148-06015	Nut	Nut
18	63118-06F00	Washer, Lower Lh	Washer, Lower Lh
19	09116-06010	Bolt, 6x20	Bolt
20	44281-24D00	Cushion	Cushion

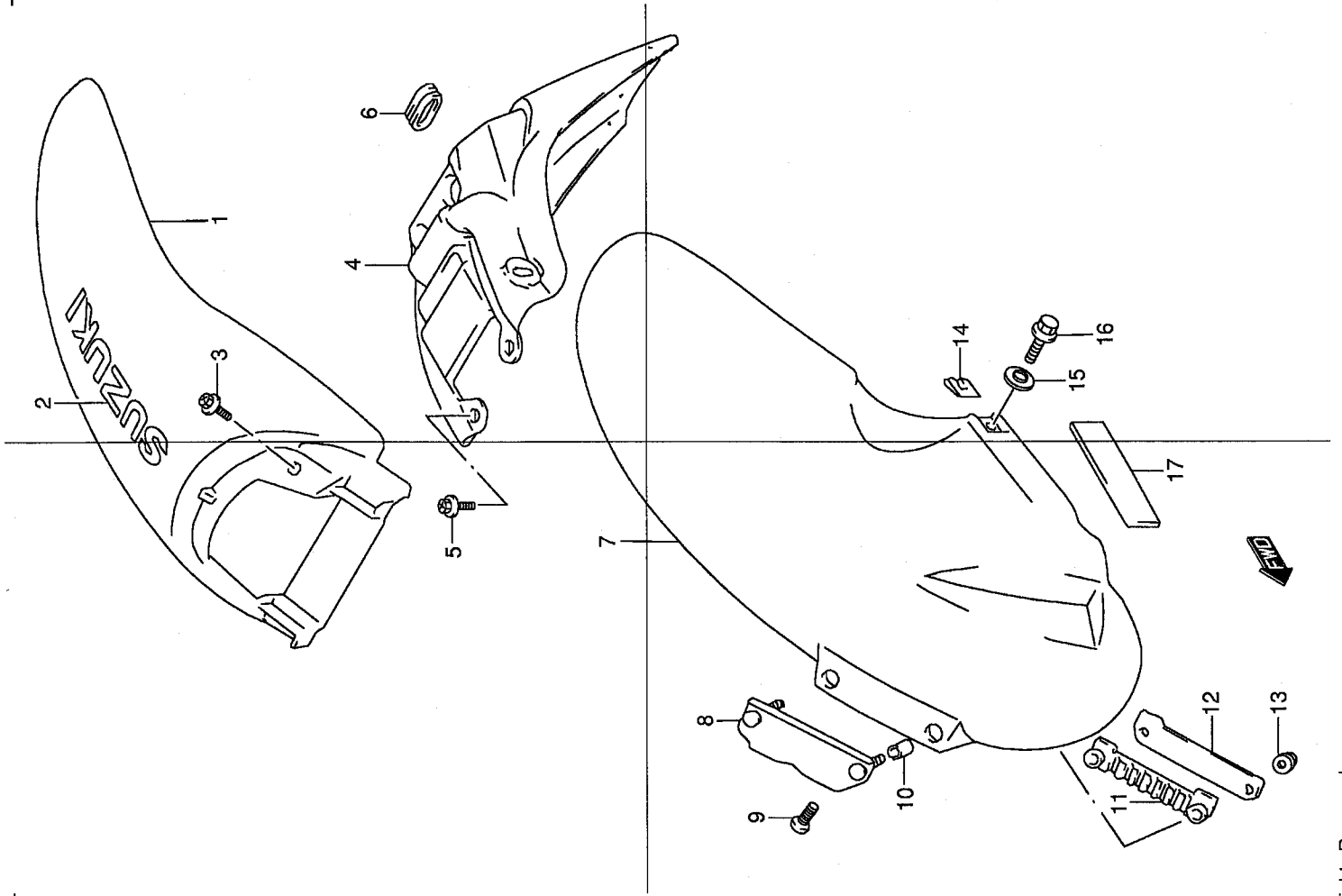


TR50SY (TR50SY E2)

FIG31A

REAR FENDER (MODEL Y)

Ref No	Part No	Name	Description
1	63113-06F10-33J	Fender, Rear Upper (black)	Fender, Rear Upper (black)
1	63113-06F10-Y2D	Fender, Rear Upper (silver)	Fender, Rear Upper (silver)
1	63113-06F10-Y9F	Fender, Rear Upper (yellow)	Fender, Rear Upper (yellow)
2	68111-43400-13L	Emblem	Emblem, Rear Fender (silver)
2	68111-43400-20G	Emblem, Rear Fender (gray)	Emblem, Rear Fender (gray)
3	63161-43E00	Bolt,rr Fender	Bolt
4	63311-06F50	Extension, Rear Fender	Extension, Rear Fender
4	63311-06F70	Extension, Rear Fender	Extension, Rear Fender
4	63311-06F60	Extension, Rear Fender	Extension, Rear Fender
5	09113-06001	Bolt,6x16	Bolt
6	09320-04008	Cushion	Cushion
7	63112-06F01-Y0J	Fender, Rear Lower (gray)	Fender, Rear Lower (gray)
8	63120-06F01	Bracket, Rear Fender Lower	Bracket, Rear Fender Lower
9	09106-06078	Bolt	Bolt
10	09180-06264	Spacer,6.5x9x10	Spacer
11	63412-06F00	Cushion, Lower	Cushion, Lower
12	63115-06F00	Plate, Lower	Plate, Lower
13	08316-10063	Nut	Nut
14	09148-06015	Nut	Nut
15	63118-06F00	Washer, Lower Lh	Washer, Lower Lh
16	09116-06010	Bolt, 6x20	Bolt
17	44281-24D00	Cushion	Cushion

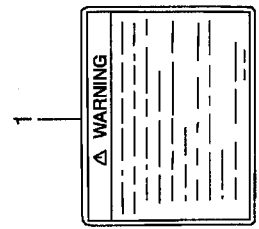


TR50SY (TR50SY E2)

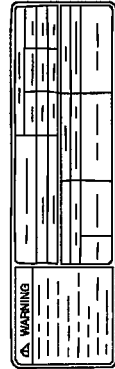
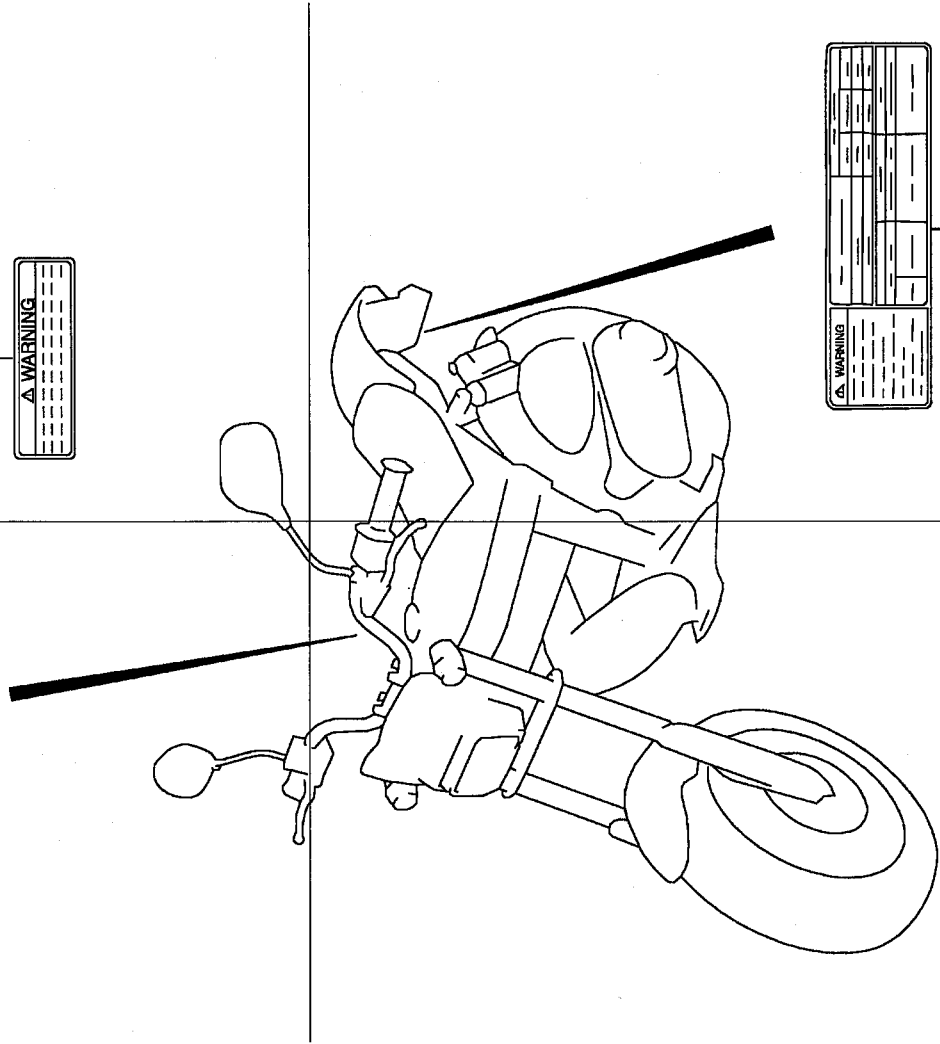
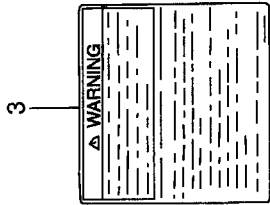
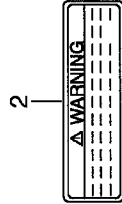
FIG32

LABEL (MODEL W/X)

Ref No	Part No	Name	Description
1	68319-33E01	Label,general W	Label, General Warning (english)
1	68319-33E31	Label, General Warning (franch)	Label, General Warning (franch)
1	68319-33E21	Label, General Warning (german)	Label, General Warning (german)
1	68319-33E41	Label, General Warning (italia)	Label, General Warning (italian)
1	68319-33E71	Label, General Warning (dutch)	Label, General Warning (dutch)
1	68319-33EC1	Label, General Warning (danish)	Label, General Warning (danish)
1	68319-33E51	Label, General Warning (spanis)	Label, General Warning (spanish)
2	68367-44E10	Label, No Passenger (english)	Label, No Passenger (english)
2	68367-06F30	Label, No Passenger (franch)	Label, No Passenger (franch)
2	68367-06F20	Label, No Passenger (german)	Label, No Passenger (german)
2	68367-06F40	Label, No Passenger (italian)	Label, No Passenger (italian)
2	68367-06F70	Label, No Passenger (dutch)	Label, No Passenger (dutch)
2	68367-06FC0	Label, No Passenger (danish)	Label, No Passenger (danish)
2	68367-06F50	Label, No Passenger (spanish)	Label, No Passenger (spanish)
3	68915-06F01	Label, Engine Starting (englis)	Label, Engine Starting (english)
3	68915-06F31	Label, Engine Starting (franch)	Label, Engine Starting (franch)
3	68915-06F21	Label, Engine Starting (german)	Label, Engine Starting (german)
3	68915-06F41	Label, Engine Starting (italia)	Label, Engine Starting (italian)
3	68915-06F51	Label, Engine Starting (spanis)	Label, Engine Starting (spanish)
3	68915-06F70	Label, Engine Starting (dutch)	Label, Engine Starting (dutch)
3	68915-06FC1	Label, Engine Starting (danish)	Label, Engine Starting (danish)
4	68623-17D00	Label, Fuel Caution	Label, Fuel Caution
5	68332-06F22	Label, Tire Information	Label, Tire Information
5	68332-06F41	Label, Tire Information	Label, Tire Information
5	68332-06F51	Label, Tire Information	Label, Tire Information
6	99011-06F50-DTD	Manual, Owner's	Manual, Owner's
6	99011-06F51-DTD	Manual, Owner's	Manual, Owner's
6	99011-06F50-01K	Manual, Owner's	Manual, Owner's
6	99011-06F51-01K	Manual, Owner's	Manual, Owner's



4
UNLEADED



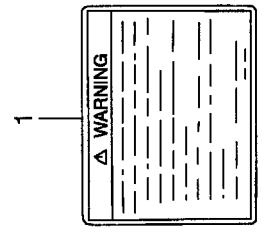
END

TR50SY (TR50SY E2)

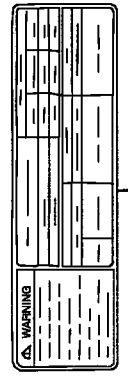
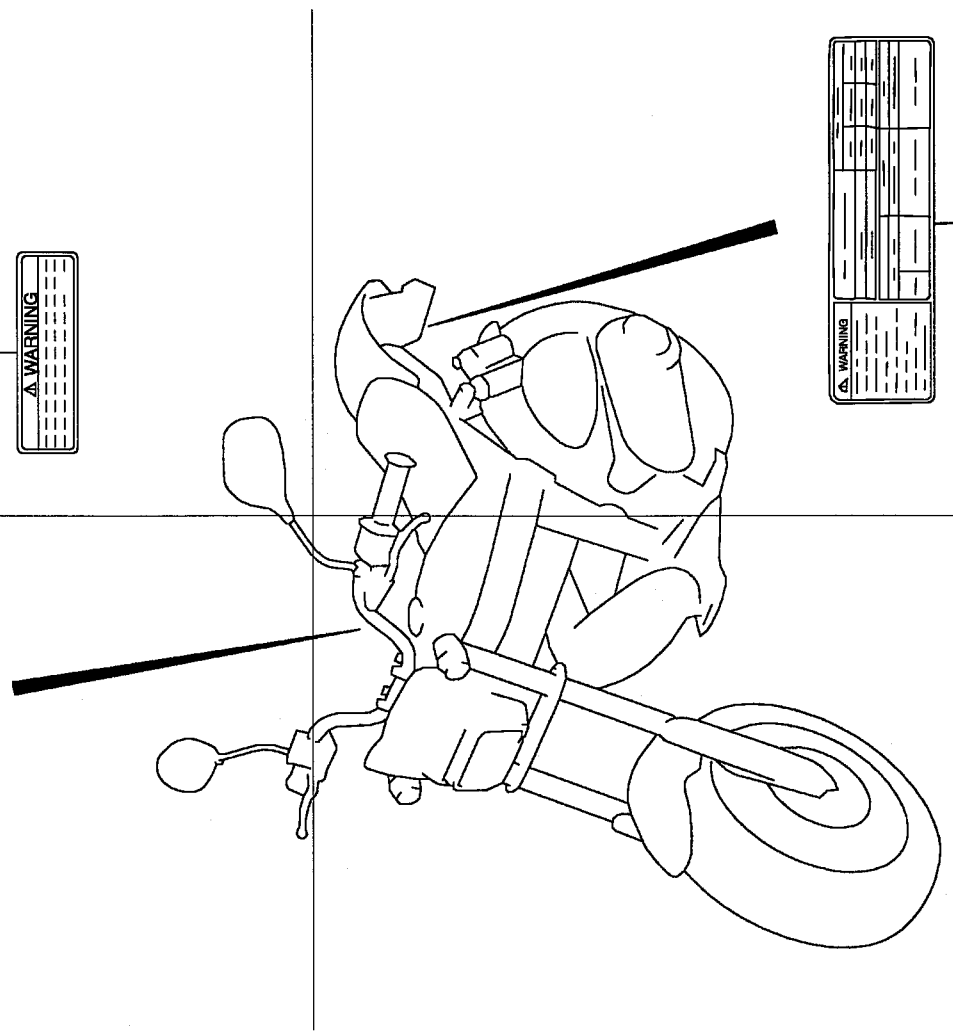
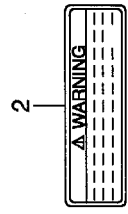
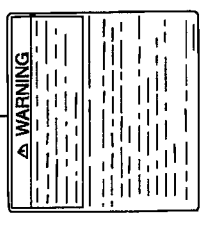
FIG32A

LABEL (MODEL Y)

Ref No	Part No	Name	Description
1	68319-30F00	Label, General Warning (englis	Label, General Warning (english)
1	68319-30F30	Label, General Warning (franch	Label, General Warning (franch)
1	68319-30F20	Label, General Warning (german	Label, General Warning (german)
1	68319-30F40	Label, General Warning (italia	Label, General Warning (italian)
1	68319-30F70	Label, General Warning (dutch)	Label, General Warning (dutch)
1	68319-30FC0	Label, General Warning (danish	Label, General Warning (danish)
1	68319-30F50	Label, General Warning (spanis	Label, General Warning (spanish)
2	68367-44E10	Label, No Passenger (english)	Label, No Passenger (english)
2	68367-06F30	Label, No Passenger (franch)	Label, No Passenger (franch)
2	68367-06F20	Label, No Passenger (german)	Label, No Passenger (german)
2	68367-06F40	Label, No Passenger (italian)	Label, No Passenger (italian)
2	68367-06F70	Label, No Passenger (dutch)	Label, No Passenger (dutch)
2	68367-06FC0	Label, No Passenger (danish)	Label, No Passenger (danish)
2	68367-06F50	Label, No Passenger (spanish)	Label, No Passenger (spanish)
3	68915-30F00	Label, Engine Starting (englis	Label, Engine Starting (english)
3	68915-30F30	Label, Engine Starting (franch	Label, Engine Starting (franch)
3	68915-30F20	Label, Engine Starting (german	Label, Engine Starting (german)
3	68915-30F40	Label, Engine Starting (italia	Label, Engine Starting (italian)
3	68915-30F50	Label, Engine Starting (spanis	Label, Engine Starting (spanish)
3	68915-30F70	Label, Engine Starting (dutch)	Label, Engine Starting (dutch)
3	68915-30FC0	Label, Engine Starting (danish	Label, Engine Starting (danish)
4	68623-17D00	Label, Fuel Caution	Label, Fuel Caution
5	68332-06F22	Label, Tire Information	Label, Tire Information
5	68332-06F41	Label, Tire Information	Label, Tire Information
5	68332-06F51	Label, Tire Information	Label, Tire Information
6	99011-06F52-DTD	Manual, Owner's	Manual, Owner's
6	99011-06F52-01K	Manual, Owner's	Manual, Owner's



4
UNLEADED

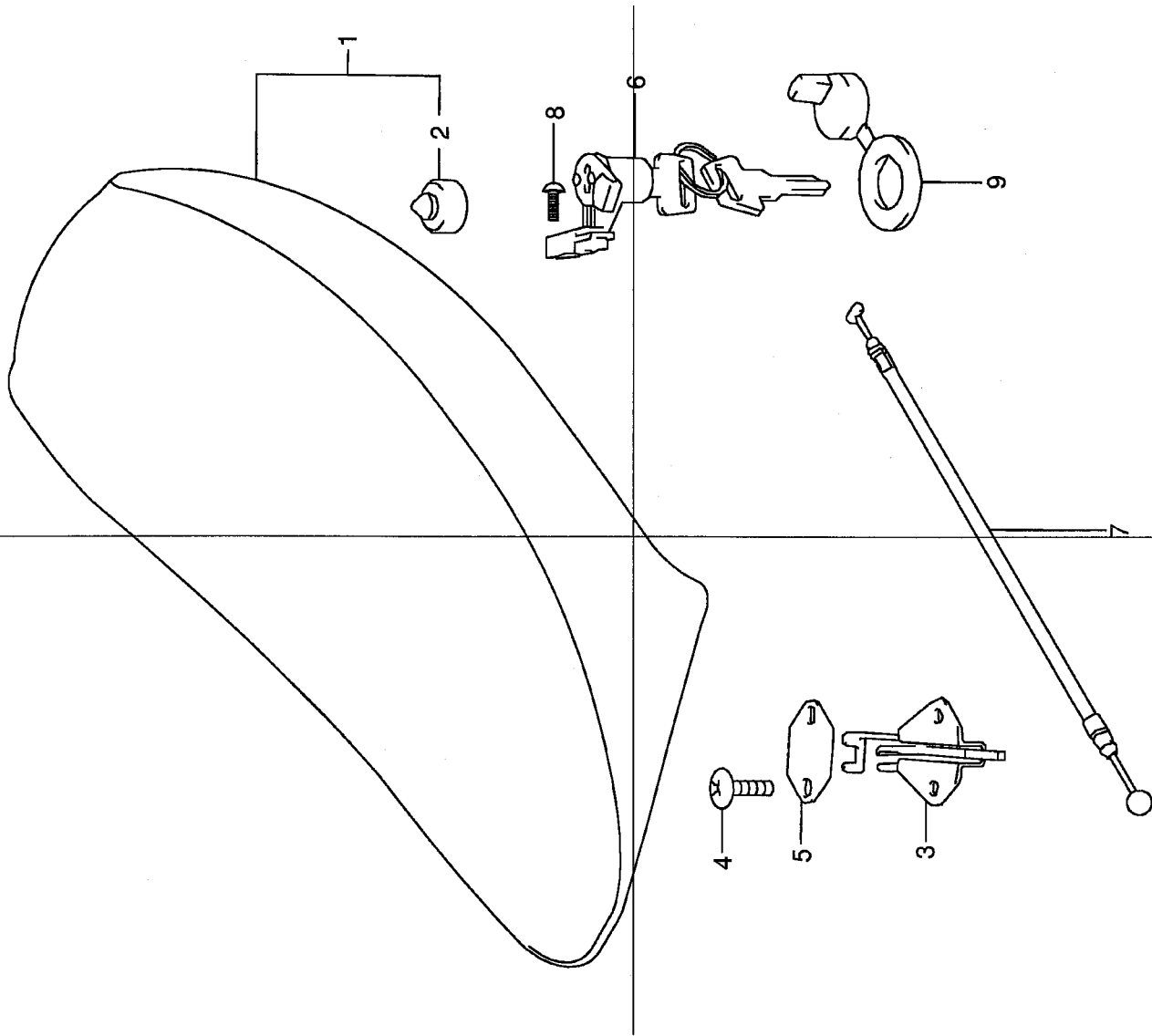


TR50SY (TR50SY E2)

FIG33

SEAT

Ref No	Part No	Name	Description
1	45100-06F00-H4U	Seat Assy	Seat Assy
1	45100-06F50-H4U	Seat Assy	Seat Assy
2	09321-10002	• Stopper	• . Cushion
3	45220-06F00	Bracket, Seat Support	Bracket, Seat Support
4	02142-06123	Screw M6x1x12	Screw
5	45228-03F00	Plate, seat Sprt	Plate, Seat Support Bracket
6	95700-31840	Lock Set, seat	Lock Set, Seat
7	45280-06F00	Cable, Seat Lock	Cable, Seat Lock
8	02142-05103	Screw 5x10	Screw
9	45531-06F00	Cap, Seat Lock	Cap, Seat Lock



END

TR50SY (TR50SY E2)

FIG34

FRONT DAMPER

Ref No	Part No	Name	Description
1	51103-06F12	Damper Assy, Front Fork Rh	Damper Assy, Front Fork Rh
2	51147-06F10	• Bolt	• Bolt
3	51132-06F10-13L	• Holder, Fr Axle Rh (silver)	• Holder, Fr Axle Rh (silver)
4	51173-06F10	• Seal, Dust	• Seal, Dust
5	51118-35E00	• Circlip	• Circlip
6	51152-06F10	• Pipe, Guide	• Pipe, Guide
7	51177-06F11	• Spring, Rebound	• Spring, Rebound
8	51110-06F11	• Tube Assy, Inner Rh	• Tube Assy, Inner Rh
9	51178-06F10	• Seat, Spring	• Seat, Spring
10	51292-06F10	• Rubber, Stopper	• Rubber, Stopper
11	51171-06F10	• Spring, Front	• Spring, Front
12	51172-06F10	• Seat, Spring	• Seat, Spring
13	51176-06F11	• Collar, Spring	• Collar, Spring
14	51130-06F10	• Tube, Outer	• Tube, Outer
15	51816-06F10	• Bolt, Joint	• Bolt, Joint
16	51129-06F10	• Nut	• Nut
17	51104-06F12	Damper Assy, Front Fork Lh	Damper Assy, Front Fork Lh
18	51147-06F10	• Bolt	• Bolt
19	51142-06F10-13L	• Holder, Fr Axle Lh (silver)	• Holder, Fr Axle Lh (silver)
20	51173-06F10	• Seal, Dust	• Seal, Dust
21	51118-35E00	• Circlip	• Circlip
22	51152-06F10	• Pipe, Guide	• Pipe, Guide
23	51177-06F11	• Spring, Rebound	• Spring, Rebound
24	51120-06F11	• Tube Assy, Inner Lh	• Tube Assy, Inner Lh
25	51178-06F10	• Seat, Spring	• Seat, Spring
26	51171-06F10	• Spring, Front	• Spring, Front
27	51814-06F10	• Nut	• Nut
28	51817-06F10	• Nut, Joint	• Nut, Joint
29	62182-24030	• Nut	• Nut
30	52219-06F10	• Rubber, Stopper	• Rubber, Stopper
31	51128-06F11	• Rod	• Rod
32	51175-06F10	• Seat, Spring	• Seat, Spring
33	51176-06F11	• Collar, Spring	• Collar, Spring
34	51130-06F10	• Tube, Outer	• Tube, Outer
35	51814-06F10	• Nut	• Nut
36	62182-16A00	• Nut	• Nut
37	51129-06F10	• Nut	• Nut

FRONT DAMPER

FIG34

TR50SY (TR50SY E2)

Description

Name

Part No

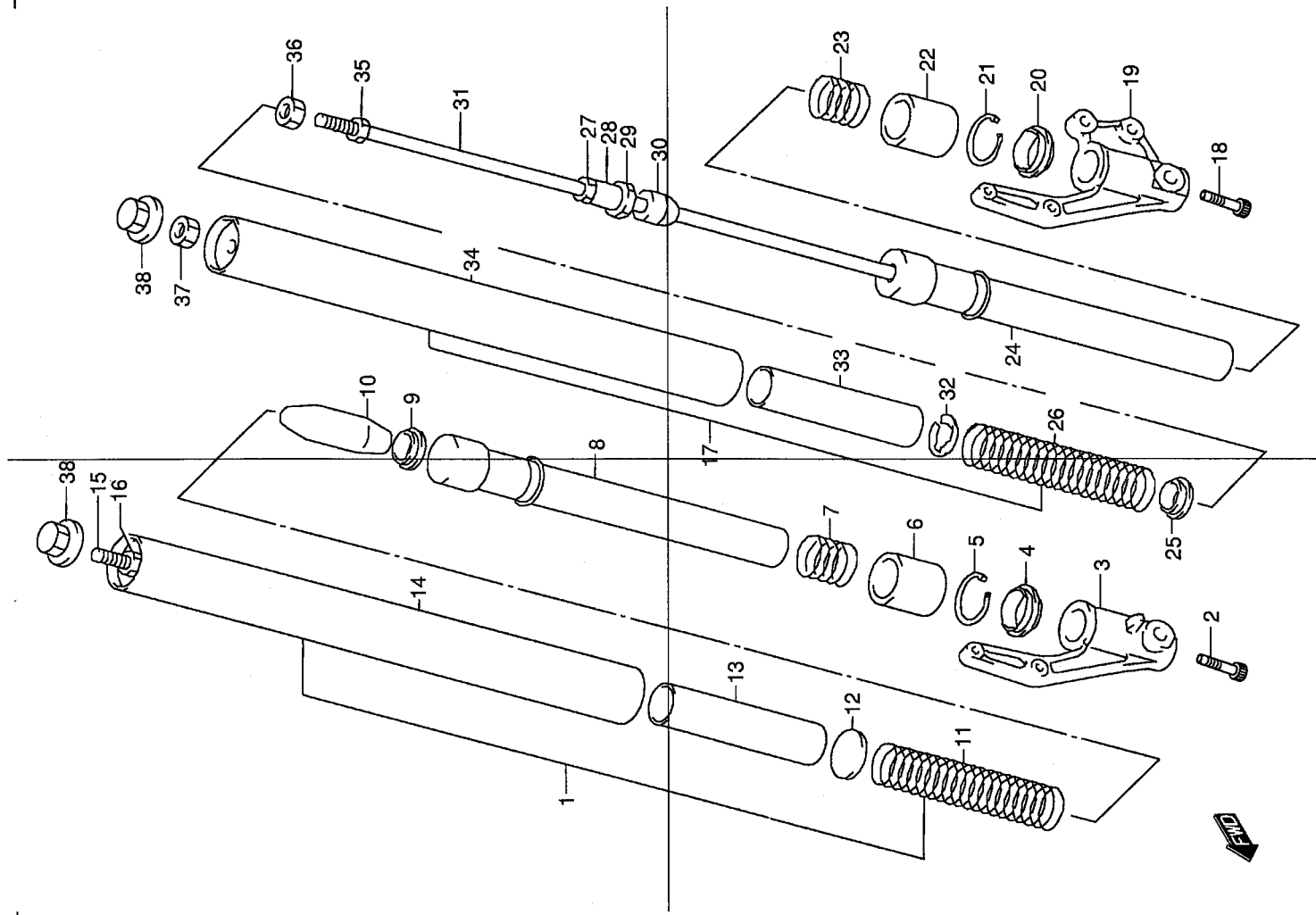
Ref No

Nut, Upper Side

Nut, Upper Side

51362-06F02

38

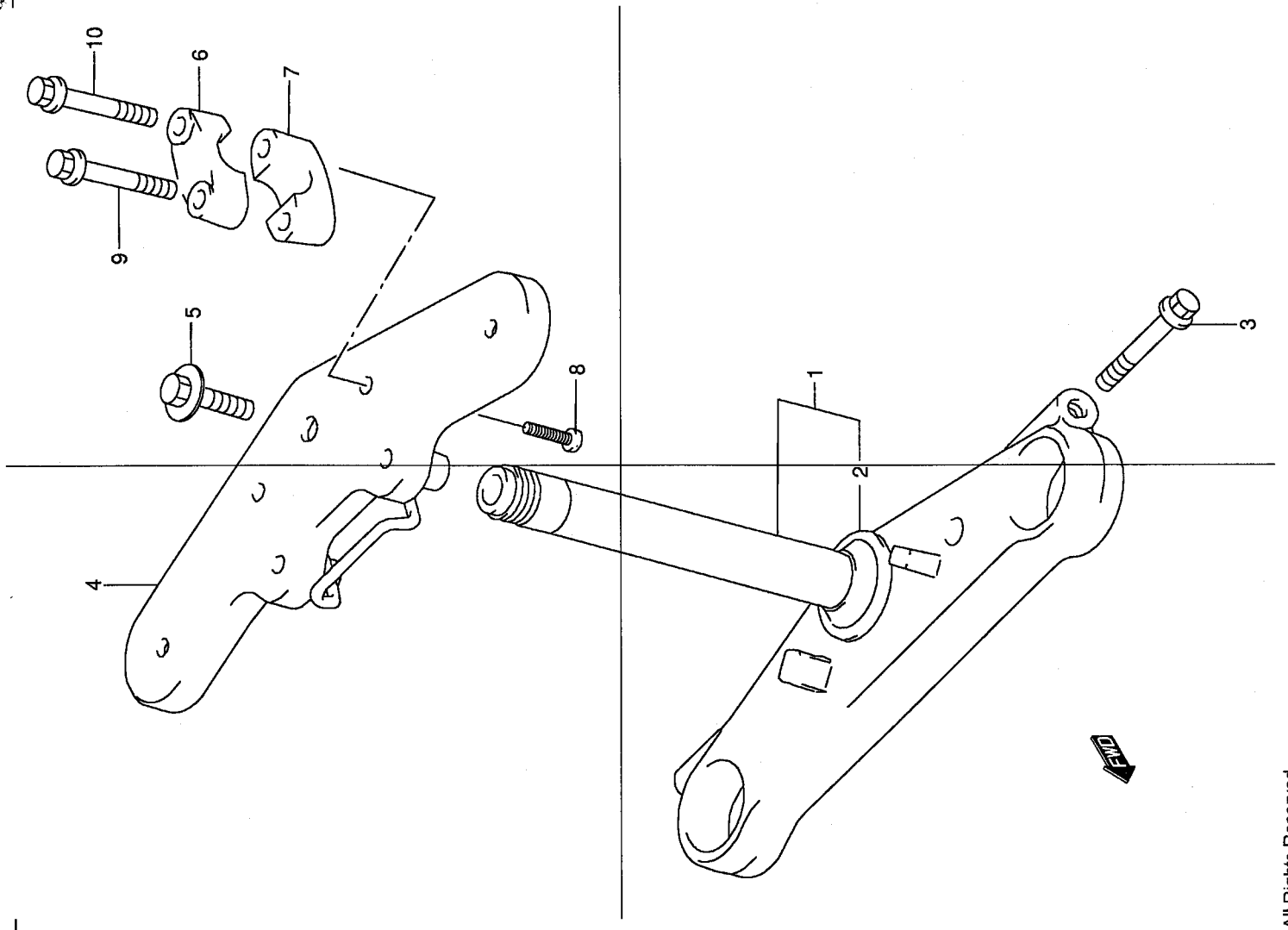


TR50SY (TR50SY E2)

FIG35

STEERING STEM

Ref No	Part No	Name	Description
1	51410-06F20	Stem, Steering (black)	Stem, Steering (black)
2	51621-33001	• Steering Outer	• Race, Outer Lower
3	01550-08357	Bolt	Bolt
4	51310-06F00-291	Bracket, Fr Fork Upper (black)	Bracket, Fr Fork Upper (black)
5	51352-46101	Bolt	Bolt
6	56211-27200-291	Handle Upper Cl	Holder, Handle Upper (black)
7	56221-06F00-291	Holder, Handle Lower (black)	Holder, Handle Lower (black)
8	02142-05103	Screw 5x10	Screw
9	09103-08346	Bolt, Front (8x51)	Bolt, Front (8x51)
10	09103-08347	Bolt, Rear (8x55)	Bolt, Rear (8x55)

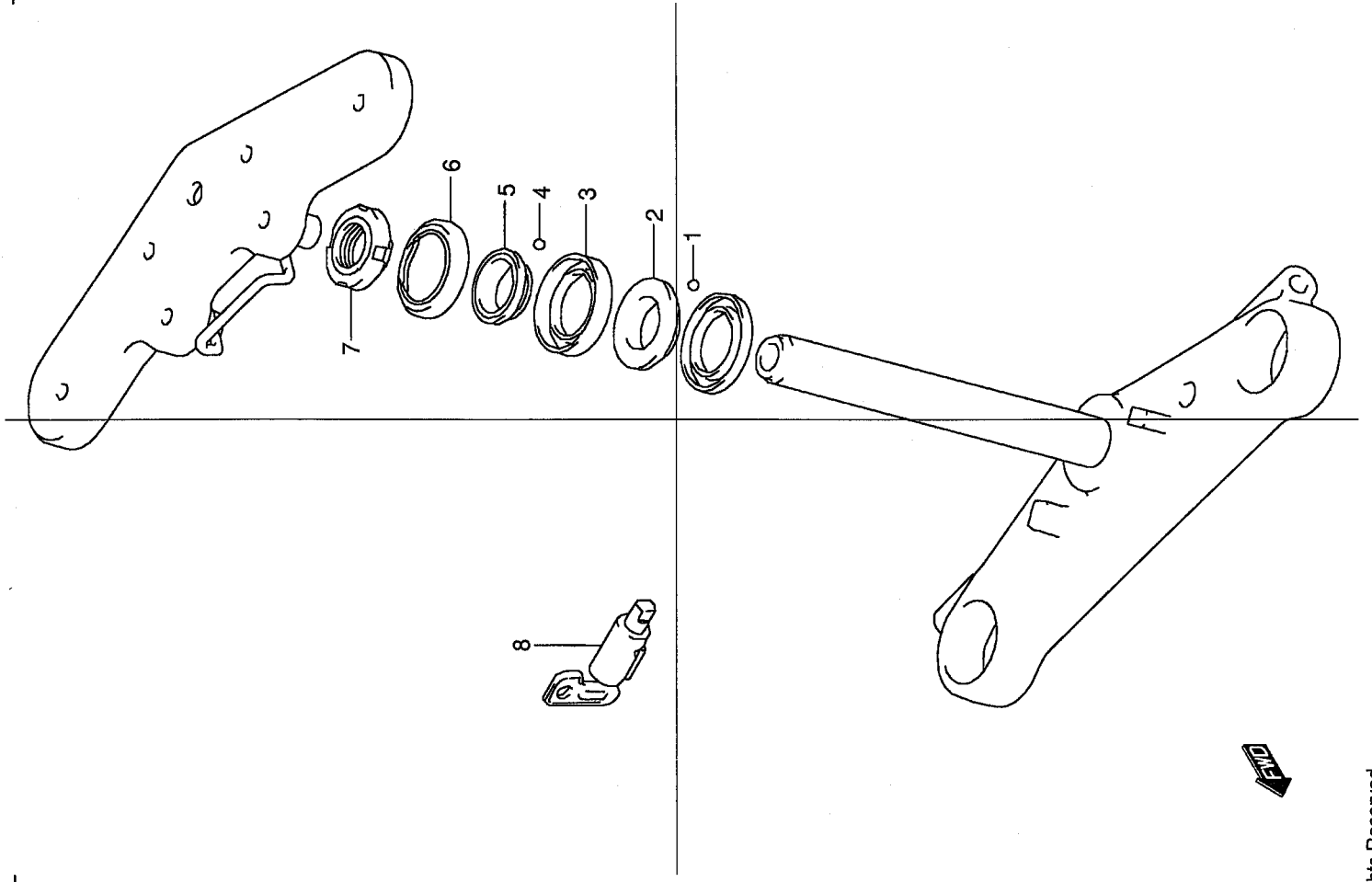


TR50SY (TR50SY E2)

FIG36

STEERING RACE

Ref No	Part No	Name	Description
1	06111-08003	Steel Ball	Ball, Lower
2	51611-33002	Steering Inner	Race, Inner Lower
3	51611-20002	Steering Inner	Race, Inner Upper
4	06111-06003	Steel Ball	Ball, Upper
5	51621-28000	Upper Outer Rac	Race, Outer Upper
6	51643-25001	Steering Dust S	Dust Seal, Steering Upper
7	51631-28000	Steering Stem N	Nut, Steering Stem
8	51900-30901	Discontinued	Lock Assy, Steering (neiman)

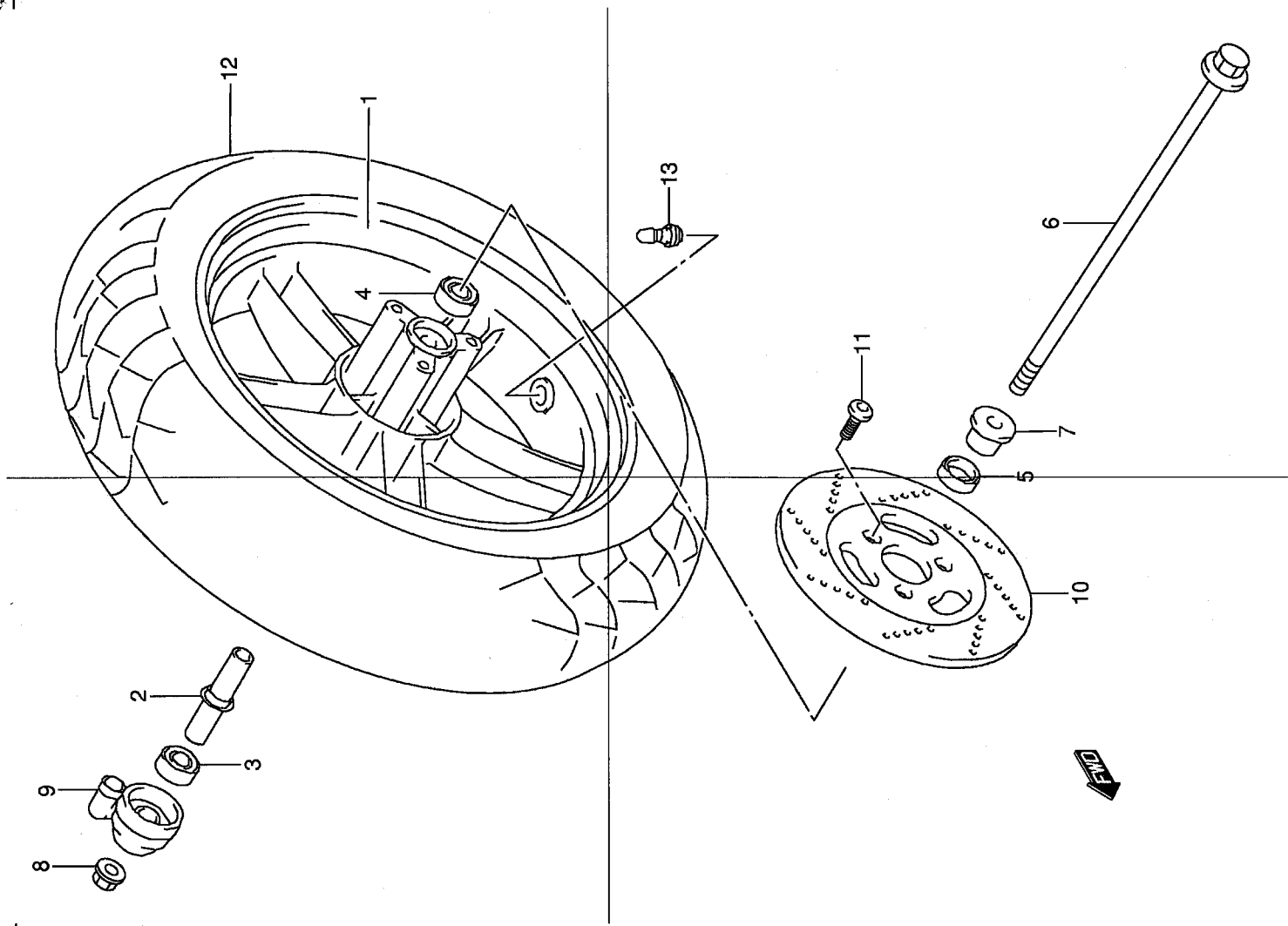


TR50SY (TR50SY E2)

FIG37

FRONT WHEEL

Ref No	Part No	Name	Description
1	54111-06F50-12R	Wheel, Front (12xmf3.50)	Wheel, Front (12xmf3.50) (silver)
2	54731-06F50	Spacer, Bearing	Spacer, Bearing
3	09262-10015	B1 10x26x8 Brng	Bearing, Rh
4	08113-62007	B1 10x30x9 Brg	Bearing, Lh
5	09285-16002	Kickstarter Oil	Seal, Oil (16x30x8)
6	54711-06F00	Axle, Front	Axle, Front
7	54751-06F00	Spacer, Axle Lh	Spacer, Axle Lh
8	08319-31107	Nut	Nut
9	54600-06F00	Box Assy, Speedometer Gear	Box Assy, Speedometer Gear
10	59211-20E00	Disc, Front Brake	Disc, Front Brake
11	59421-03A10	Bolt, rear Disc	Bolt, Brake Disc (8x20)
12	55110-06F10	Tire, Front (120/70-12)	Tire, Front (120/70-12) (bridgestone)
12	55110-06FA1	Tire, Front (120/70-12)	Tire, Front (120/70-12) (bridgestone)
13	43130-24A00	Valve Assy	Valve Assy, Wheel Rim (tr412)

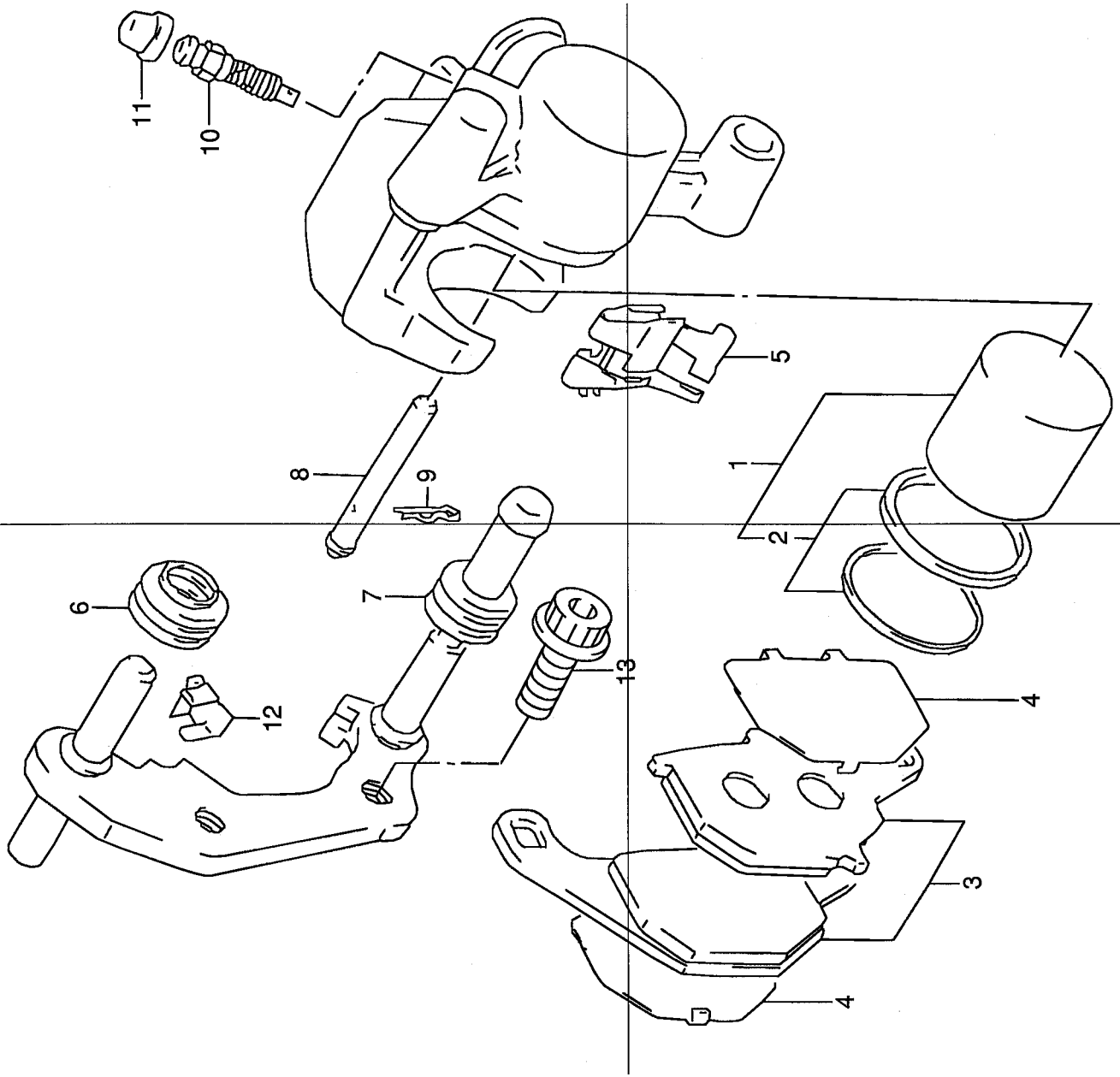


TR50SY (TR50SY E2)

FIG38

FRONT CALIPER

Ref No	Part No	Name	Description
1	59300-20E30	Caliper Assy, Front Lh	Caliper Assy, Front Lh
2	59300-20810	• Piston Set	• Piston Set
3	59300-20820	•• Seal Set, Pisto	•• Seal Set, Piston
4	59300-20841	• Pad Set	• Pad Set
5	59371-20E00	• Shim,pad	• Shim
6	59315-20E00	• Spring, Pad	• Spring
7	59312-36500	• Boot	• Boot
8	59313-36500	• Insulator Axle	• Insulator
9	69141-44B02	• Pin,pad	• Pin
10	69142-45000	• Brake Pad Pin C	• Clip
11	59121-18410	• Bleeder	• Bleeder
12	55156-66310	• Cap,bleeder Plu	• Cap
13	59116-20E00	• Guide,pad	• Guide
	07120-08353	Bolt	Bolt

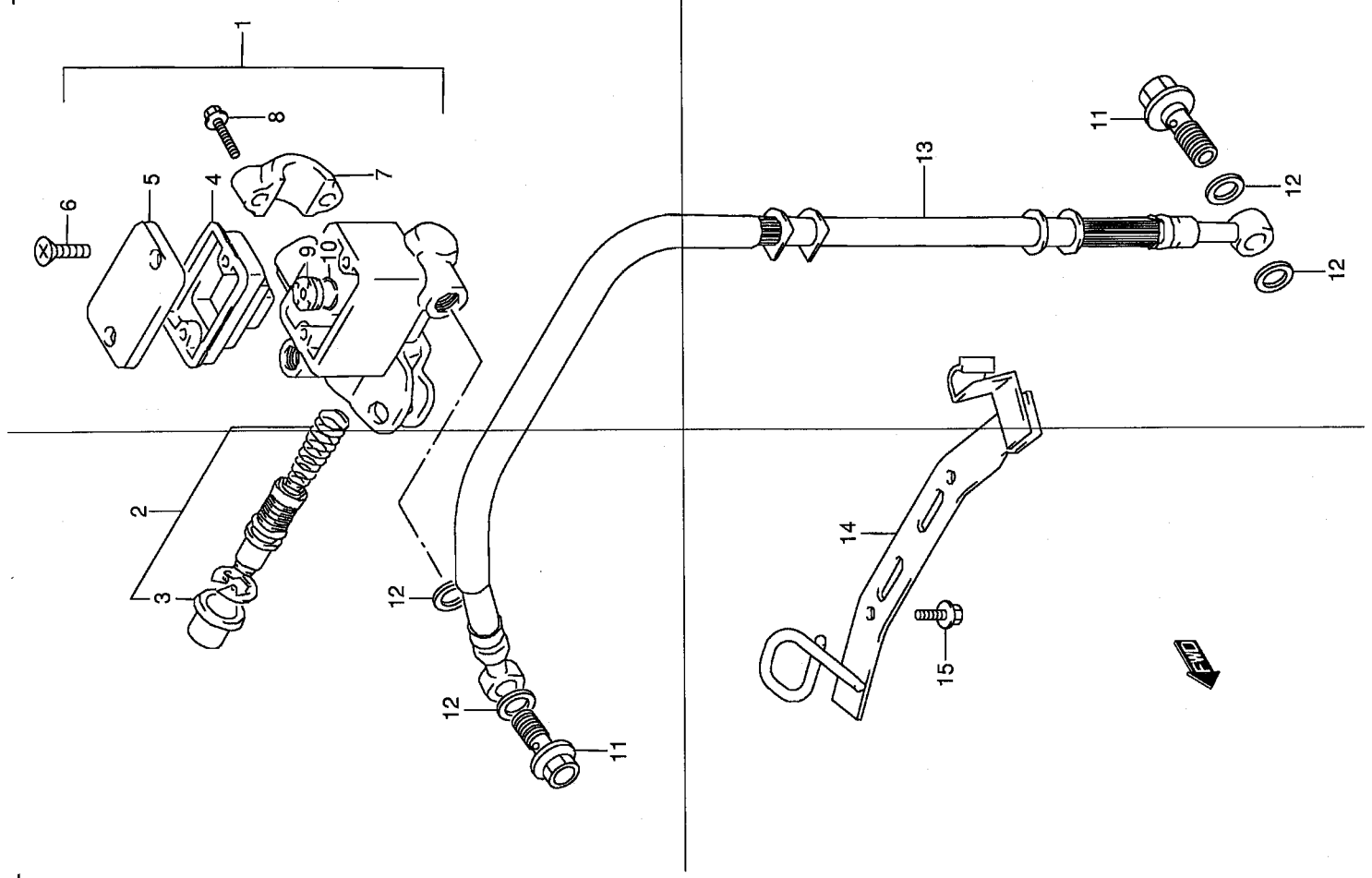


TR50SY (TR50SY E2)

FIG39

FRONT MASTER CYLINDER

Ref No	Part No	Name	Description
1	59600-06F10	Cylinder Assy, Front Master	Cylinder Assy, Front Master
2	59600-27820	• Piston & Cup Se	• Piston/cup Set
3	59666-44300	•• Boot	•• . Boot
4	59667-44B00	• Diaphragm, maste	• . Diaphragm
5	59669-03D00	• Cap, master Cyl	• . Cap
6	02122-04127	• Screw	• . Screw
7	59671-03D00	• Holder	• . Holder
8	59675-06F00	• Bolt, Holder	• . Bolt, Holder
9	59748-36E00	• Separator	• . Separator
10	69744-36E00	• Ring	• . Ring
11	09360-10042	Bolt	Bolt (10x1.25x22)
12	09161-10009	Washer	Washer (10x15x1.5)
13	59480-06F00	Hose, Front Brake	Hose, Front Brake
14	59270-06F00	Clamp, Front Brake Hose	Clamp, Front Brake Hose
14	59270-06F20	Clamp, Front Brake Hose	Clamp, Front Brake Hose
15	01550-06103	Bolt	Bolt

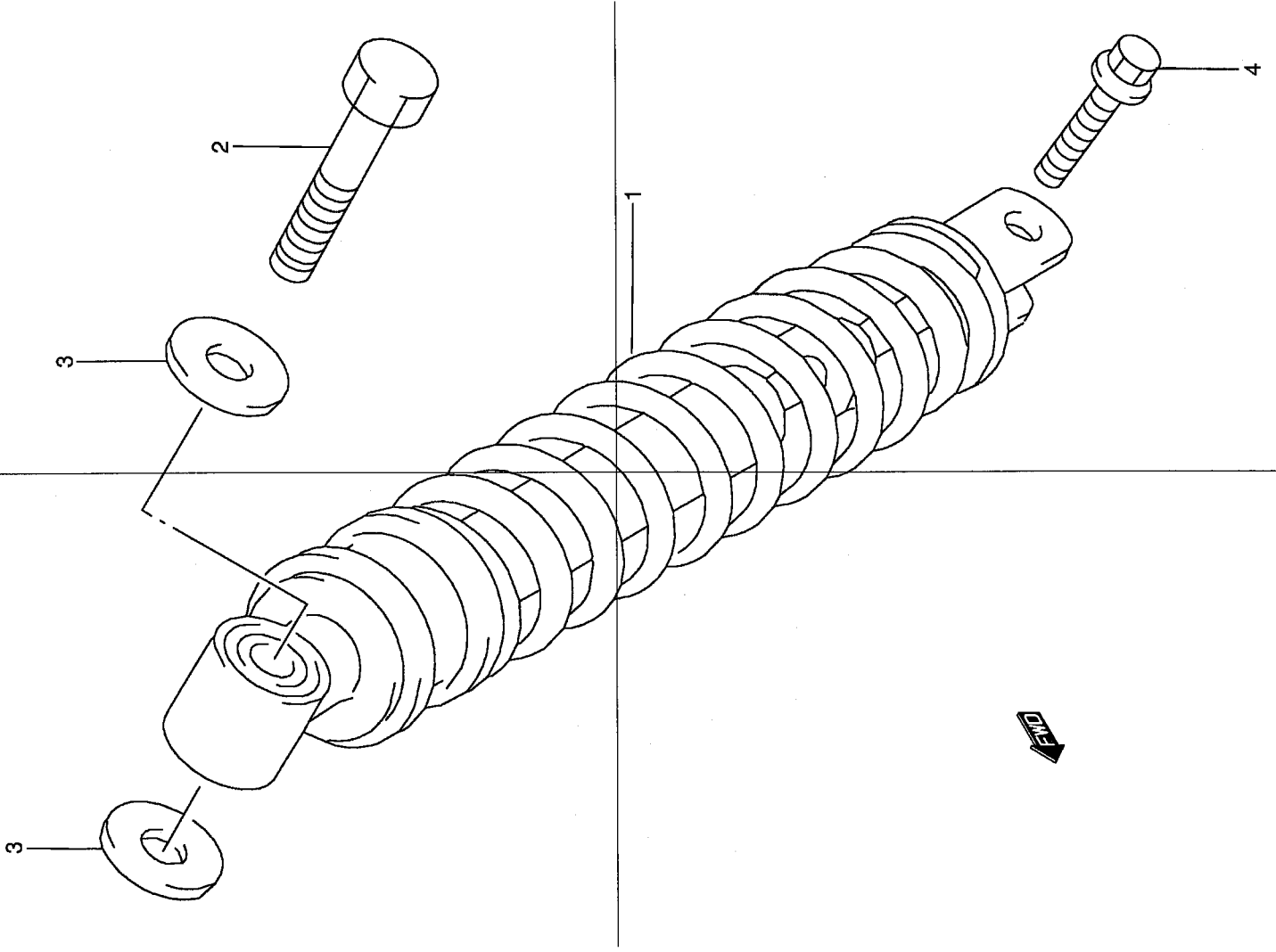


TR50SY (TR50SY E2)

FIG40

REAR SHOCK ABSORBER

Ref No	Part No	Name	Description
1	62100-06F01-163	Absorber Assy, Rear Shock	Absorber Assy, Rear Shock (yellow)
2	09103-12042	Bolt 12x57	Bolt, Upper (12x57)
3	09160-12001	Dr Sprocket Was	Washer (12.5x32x2.30)
4	01550-10307	Bolt	Bolt, Lower (10x30)

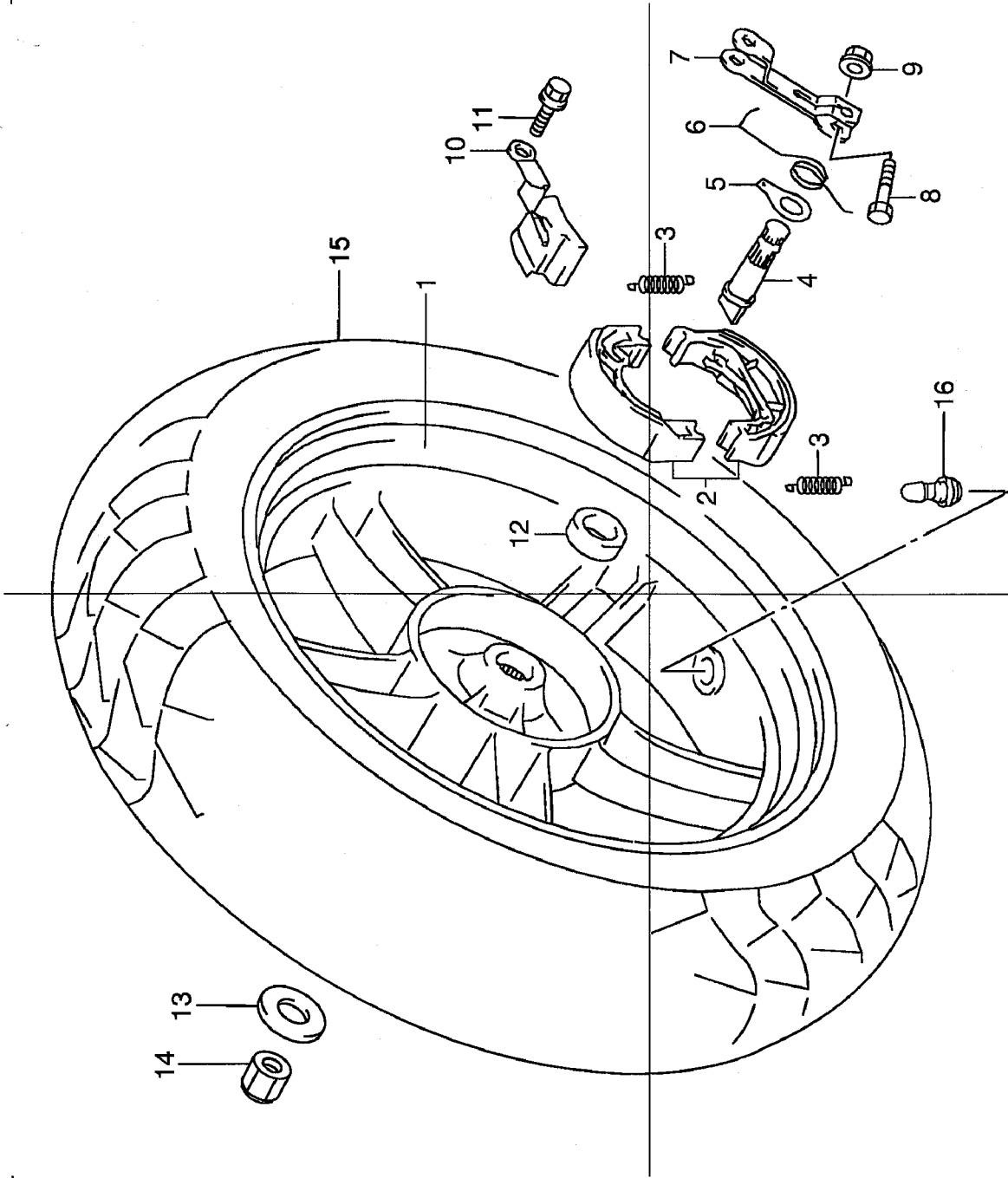


TR50SY (TR50SY E2)

FIG41

REAR WHEEL

Ref No	Part No	Name	Description
1	64150-06F50-12R	Wheel, Rear (12xmt3.50)	Wheel, Rear (12xmt3.50)
2	64400-41820	Shoe Set, Brake	Shoe Set, Brake (silver)
3	09443-07044	Spring	Spring
4	64441-06F00	Cam, Rear Brake	Cam, Rear Brake
5	64492-17B02	Plate, Indicator	Plate, Indicator
6	64484-06F00	Spring, Lever Return	Spring, Lever Return
7	64451-06F00	Lever, Rear Brake Cam	Lever, Rear Brake Cam
8	09100-06139	Bolt (6x31)	Bolt (6x31)
9	08316-10063	Nut	Nut
10	64491-06F00	Protector, Cam Lever	Protector, Cam Lever
11	09111-06054	Bolt	Bolt (6x14.6)
12	64741-06F00	Spacer, Rear Axle Inner	Spacer, Rear Axle Inner
13	09160-16039	Washer	Washer
14	08319-21168	Nut 16mm	Nut
15	65110-06F10	Tire, Rear (130/70-12)	Tire, Rear (130/70-12) (bridgestone)
15	65110-06FA1	Tire, Rear (130/70-12)	Tire, Rear (130/70-12) (bridgestone)
16	43130-24A00	Valve Assy	Valve Assy, Wheel Rim (tr412)



TR50SY (TR50SY E2)

FIG42

OPTIONAL

Ref No	Part No	Name	Description
1	99000-32020	1333b Threadloc	Thread Lock, Super (1333b)
1	99000-32030	1303 Threadlock	Thread Lock, Super (1303b)
1	99000-32050	1342 Threadlock	Thread Lock, Super (1342)
1	99000-32110	Thread Lock, Super (1322)	Thread Lock, Super (1322)
1	99000-32120	Thread Lock, Super (1324)	Thread Lock, Super (1324)
2	99000-32040	1401 Threadlock	Cement, Thread Lock
3	99000-31030	Liquid Gasket 1	Suzuki Bond No.4
4	99000-25030	Suzuki Super Gr	Grease, Suzuki Super
5	99000-10209-Y0P	Paint (candy Moon Shadow Blue)	Paint (candy Moon Shadow Blue)
5	99000-10209-Y0R	Paint (candy Flare Red)	Paint (candy Flare Red)
5	99000-10209-Y3G	Paint (candy Jade Lime Yellow)	Paint (candy Jade Lime Yellow)
5	99000-10209-12R	Discontinued	Paint (tight Silver Metallic)
5	99000-10209-33J	Discontinued	Paint (pearl Novelty Black)
5	99000-10109-019	Discontinued	Paint (black)
5	99000-10209-13L	Discontinued	Paint (bright Silver Metallic)
5	99000-10209-163	Discontinued	Paint (phlolina Yellow)
5	99000-10109-291	Discontinued	Paint (black)
5	99000-10209-Y2D	Paint (flash Silver Metallic)	Paint (flash Silver Metallic)
5	99000-10209-Y9F	Paint (pearl Canyon Yellow)	Paint (pearl Canyon Yellow)
6	99000-25110	Brake Pad Greas	Brake Pad Grease (pbc)

47

